



Technical Data

End Suction Pump - EAZS125/40-90004

Revision no. _____
Page: 1

	Receiver	From
Company name		
Respons. Department		
Person in charge		
Phone number		
Fax no		
E-mail address		

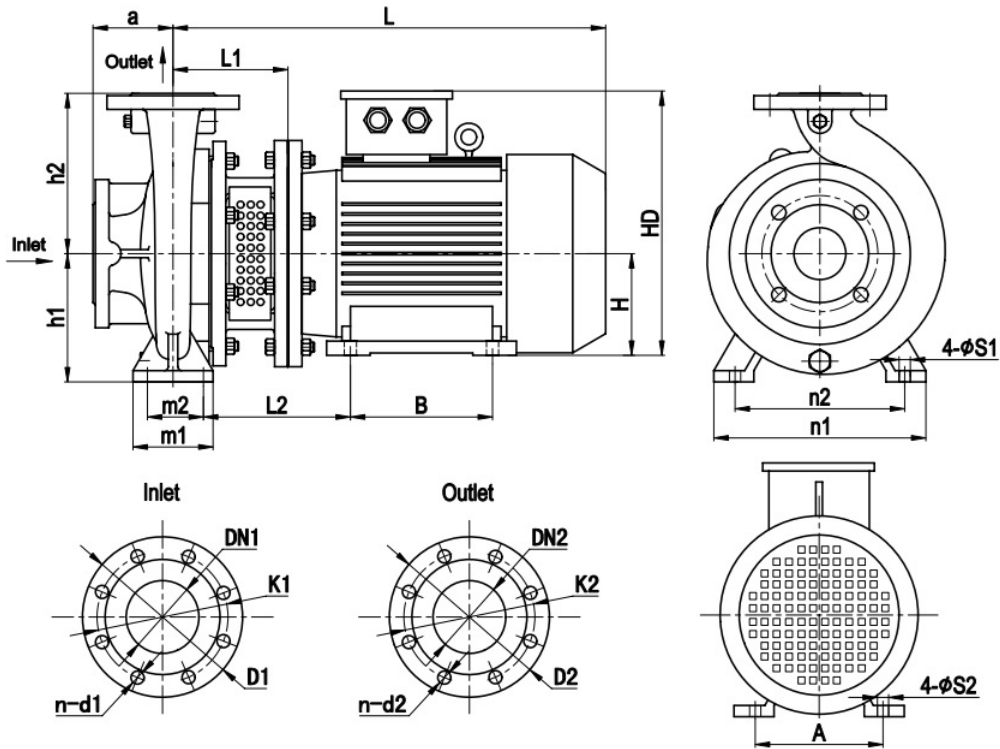


Brand: Gol Pumps
Model: EAZS125/40-90004

Motor (B35)	
Model	hp
Y2-280M-4	125

Weight (lb)		
Pump	Motor	Pump & motor
399	1294	1693

Dimensions:



ISO7005.2 DIN2501 PN16 GB/T17241.6 PN1.6									
DN1 / DN2	1.25	1.5	2	2.5	3	4	5	6	8
D1 / D2	5.51	5.91	6.50	7.28	7.87	8.66	9.84	11.22	13.39
K1 / K2	3.94	4.33	4.92	5.71	6.30	7.09	8.27	9.45	11.61
n-d1 / n-d2	4- \varnothing 18	4- \varnothing 18	4- \varnothing 18	4- \varnothing 18	8- \varnothing 18	8- \varnothing 18	8- \varnothing 18	8- \varnothing 22	12- \varnothing 22

Inlet and outlet flange	
DN1	DN2
6	5

Pump installation size (inch)															
a	h1	h2	L1	L2	L	A	B	H	HD	m1	m2	n1	n2	S1	S2
6.30	12.40	15.75	11.18	15.71	46.42	17.99	16.50	11.02	26.77	7.87	5.91	19.69	15.75	0.91	0.94

Project	Project ID	Created by	Created on	Last update
---------	------------	------------	------------	-------------



Performance Curves

End Suction Pump - EAZS125/40-90004

Revision no.

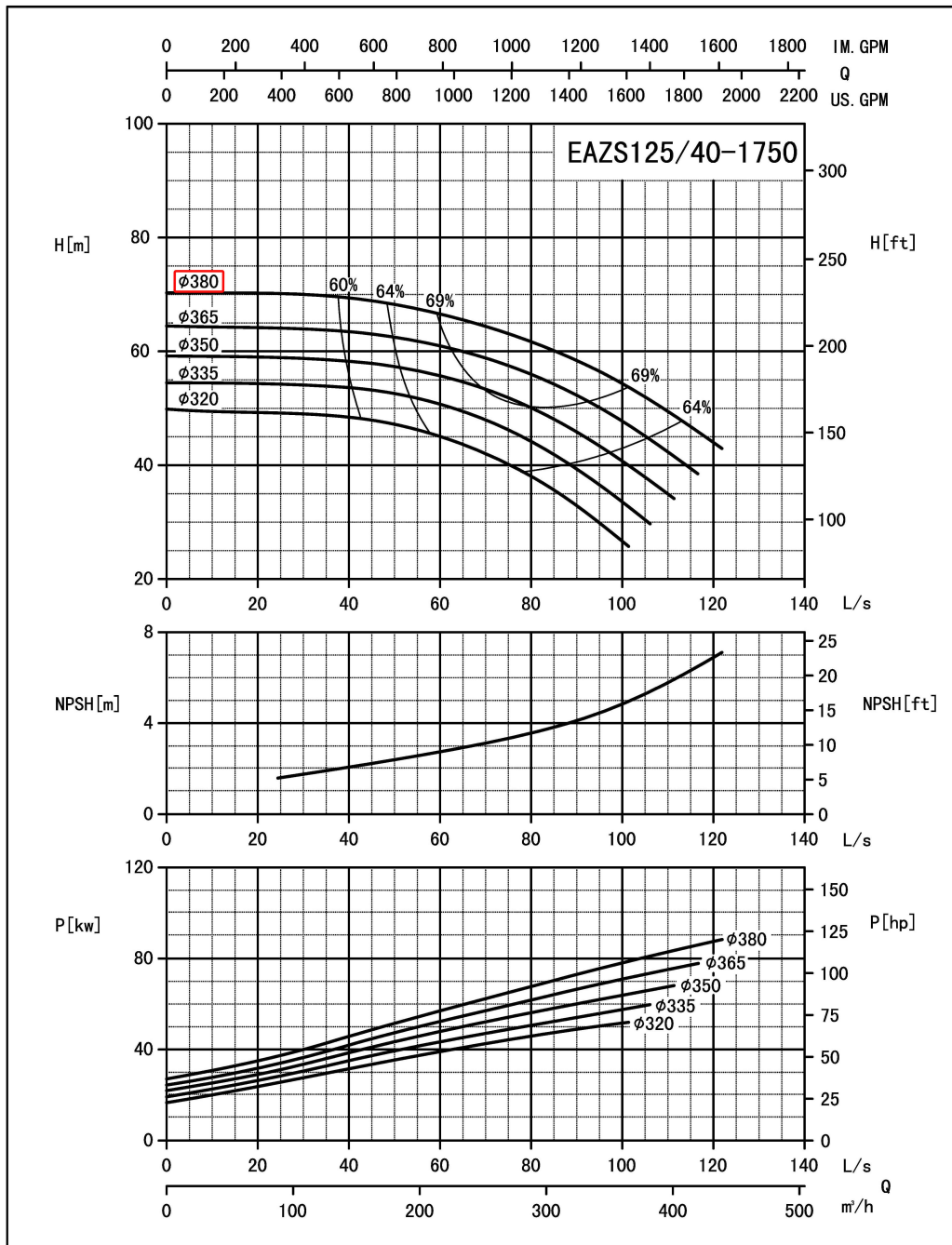
 Page:
2

Receiver

From

 Company name
 Respons. Department
 Person in charge
 Phone number
 Fax no
 E-mail address

Model	Capacity		Head ft	Speed r/min	Power (kw)		Motor (hp)	Efficiency %	Impeller Diam. inch	(NPSH) r ft
	m ³ /h	gpm			Shaft	Motor				
EAZS125/40-90004	164.8	725.7	228	1750	49.5	55	75	63	15	4.9
	274.7	1209.5	206		65.7	75	100	71.5		9.2
	329.6	1451.4	189.7		73.1	90	125	71		13.1



Performance to ISO9906 Grade 2 for clean cold water only

EF•A01/1406

Project

Project ID

Created by

Created on

Last update