



# Technical Data

## End Suction Pump - EAZS40/13-07502

Revision no. \_\_\_\_\_

Page: 1

	Receiver	From
Company name		
Respons. Department		
Person in charge		
Phone number		
Fax no		
E-mail address		

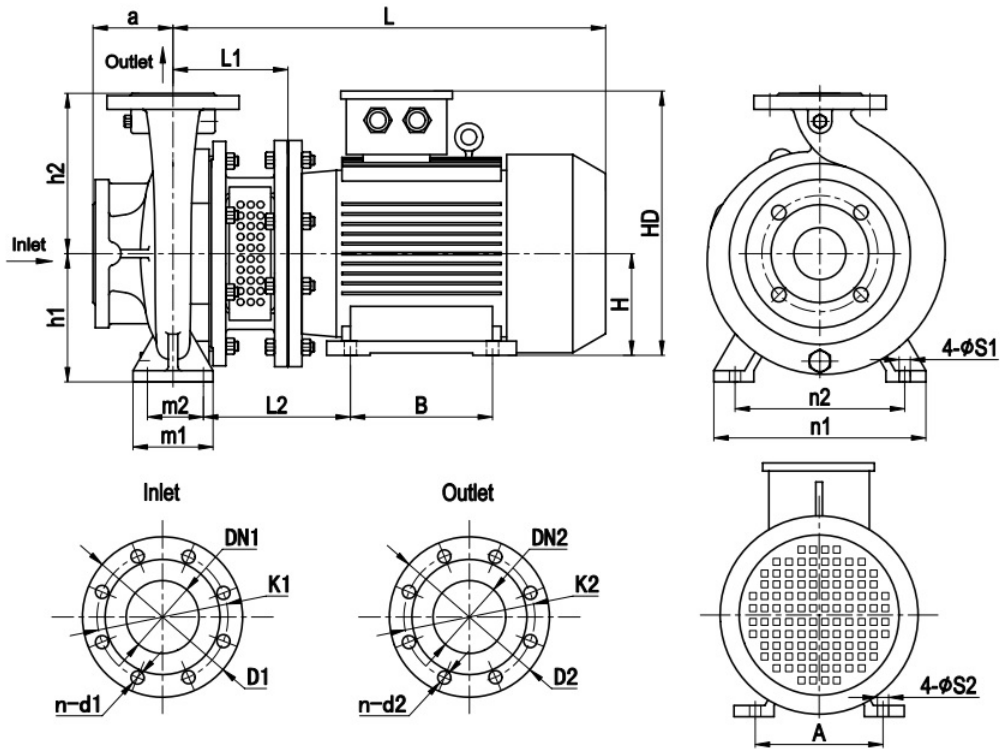


**Brand: Gol Pumps**  
**Model: EAZS40/13-07502**

Motor (B35)	
Model	hp
Y2-132S2-2	10

Weight (lb)		
Pump	Motor	Pump & motor
84	152	236

**Dimensions:**



ISO7005.2 DIN2501 PN16 GB/T17241.6 PN1.6									
DN1 / DN2	1.25	1.5	2	2.5	3	4	5	6	8
D1 / D2	5.51	5.91	6.50	7.28	7.87	8.66	9.84	11.22	13.39
K1 / K2	3.94	4.33	4.92	5.71	6.30	7.09	8.27	9.45	11.61
n-d1 / n-d2	4-Ø18	4-Ø18	4-Ø18	4-Ø18	8-Ø18	8-Ø18	8-Ø18	8-Ø22	12-Ø22

Inlet and outlet flange	
DN1	DN2
2.5	1.5

Pump installation size (inch)															
a	h1	h2	L1	L2	L	A	B	H	HD	m1	m2	n1	n2	S1	S2
3.9	5.2	6.3	7.4	9.5	22.7	8.5	5.5	5.2	13.6	3.9	2.8	9.4	7.5	0.6	0.5

Project	Project ID	Created by	Created on	Last update
---------	------------	------------	------------	-------------



# Performance Curves

## End Suction Pump - EAZS40/13-07502

Revision no.

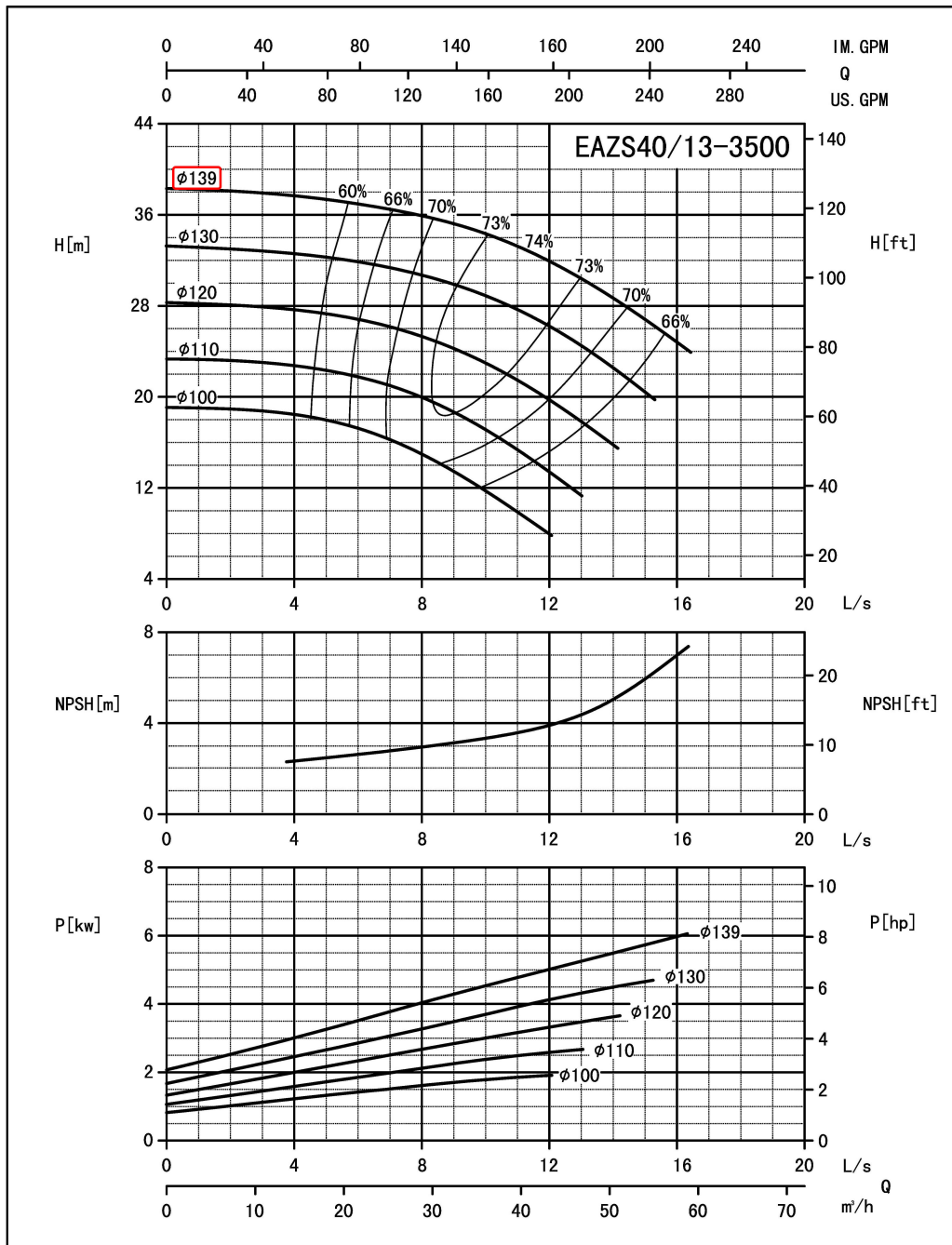
 Page:  
2

Receiver

From

 Company name  
 Respons. Department  
 Person in charge  
 Phone number  
 Fax no  
 E-mail address

Model	Capacity		Head ft	Speed r/min	Power (kw)		Motor (hp)	Efficiency %	Impeller Diam. inch	(NPSH) r ft
	m <sup>3</sup> /h	gpm			Shaft	Motor				
EAZS40/13-07502	21.7	95.6	120.9	3500	3.6	5.5	7	61	5.5	5.9
	36.2	159.4	112.3		4.6	7.5	10	73		6.6
	43.4	191.2	104.2		5.1	7.5	10	73.5		9.8



Performance to ISO9906 Grade 2 for clean cold water only

EF•A01/1406

Project

Project ID

Created by

Created on

Last update