



Technical Data

End Suction Pump - EAZS65/13-15002

Revision no. _____

Page: 1

Company name _____
 Respons. Department _____
 Person in charge _____
 Phone number _____
 Fax no _____
 E-mail address _____

Receiver _____

From _____

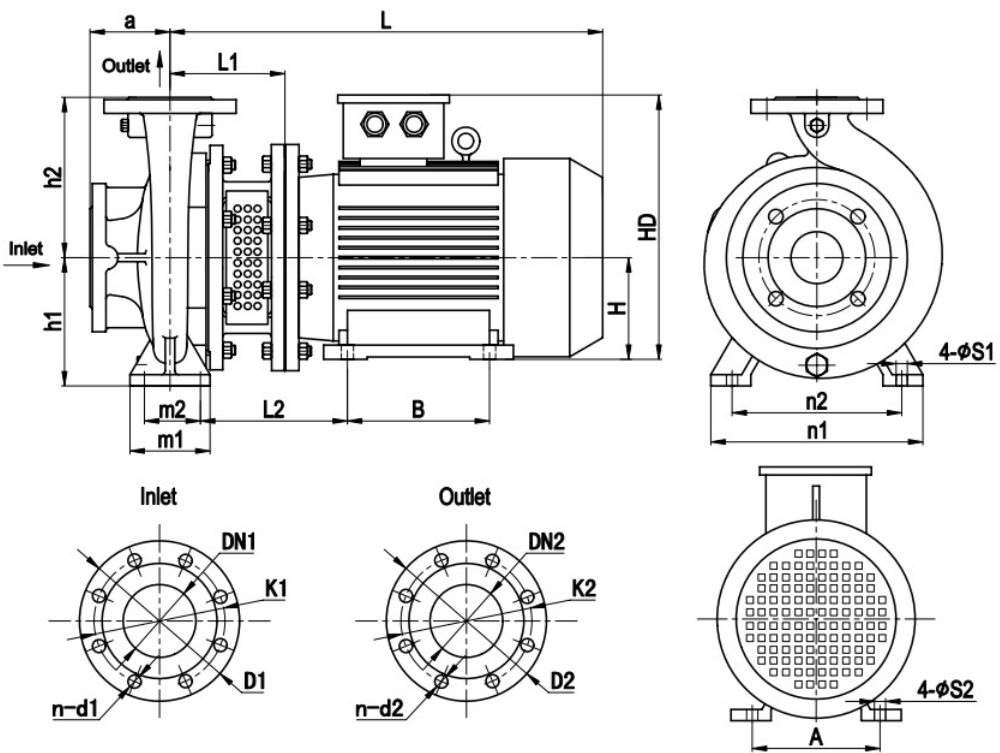


Brand: Gol Pumps
Model: EAZS65/13-15002

Motor (B35)	
Model	hp
Y2-160M2-2	20

Weight (lb)		
Pump	Motor	Pump & motor
119	240	359

Dimensions:



ISO7005.2 DIN2501 PN16 GB/T17241.6 PN1.6									
DN1 / DN2	1.25	1.5	2	2.5	3	4	5	6	8
D1 / D2	5.51	5.91	6.50	7.28	7.87	8.66	9.84	11.22	13.39
K1 / K2	3.94	4.33	4.92	5.71	6.30	7.09	8.27	9.45	11.61
n-d1 / n-d2	4-Ø18	4-Ø18	4-Ø18	4-Ø18	8-Ø18	8-Ø18	8-Ø18	8-Ø22	12-Ø22

Inlet and outlet flange	
DN1	DN2
3	2.5

Pump installation size (inch)															
a	h1	h2	L1	L2	L	A	B	H	HD	m1	m2	n1	n2	S1	S2
3.9	6.3	7.1	8.6	11	28.5	10	8.3	6.3	16.5	4.9	3.7	11	8.3	0.6	0.6

Project _____ Project ID _____ Created by _____ Created on _____ Last update _____



Performance Curves

End Suction Pump - EAZS65/13-15002

Revision no.

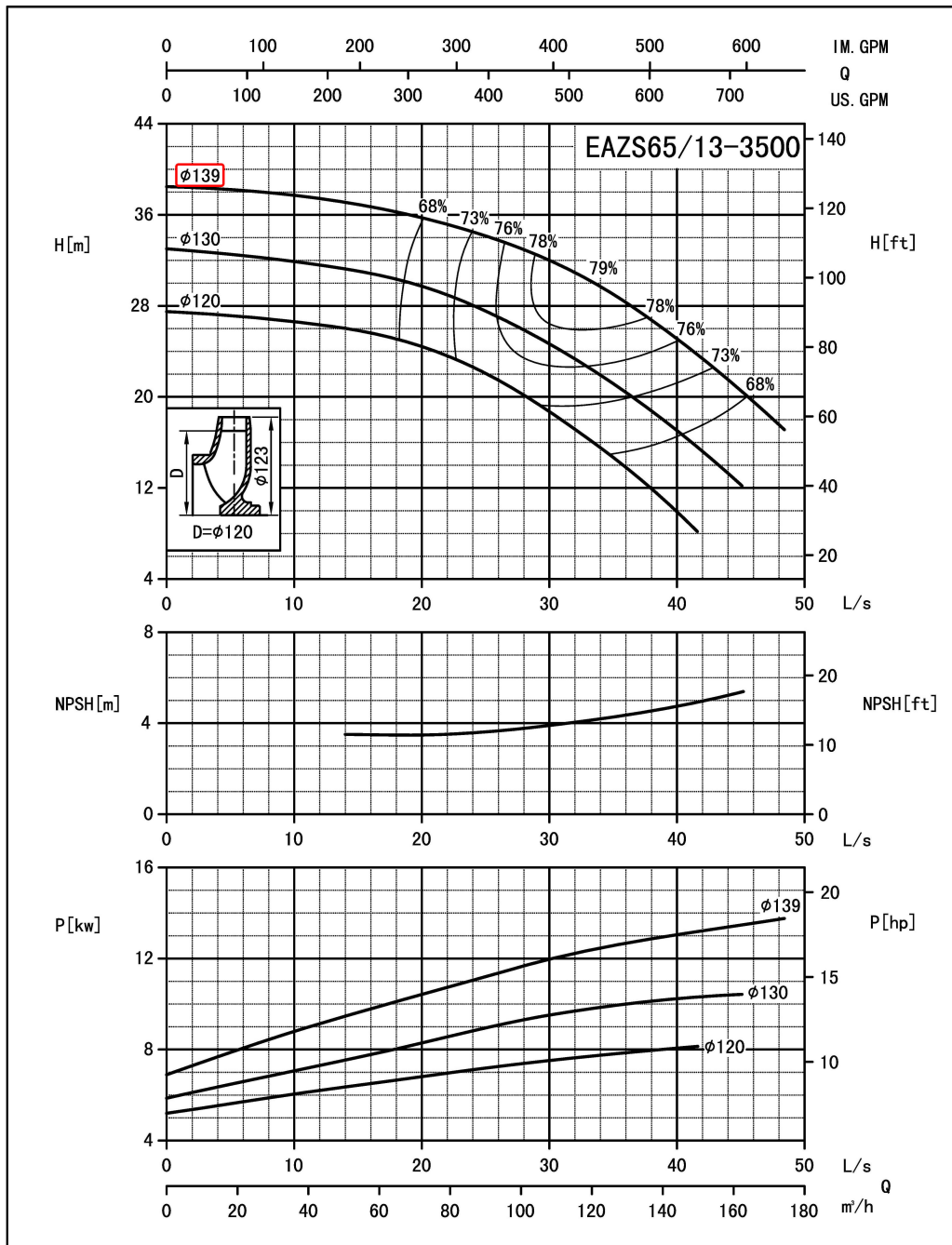
 Page:
2

Receiver

From

 Company name
 Respons. Department
 Person in charge
 Phone number
 Fax no
 E-mail address

Model	Capacity		Head ft	Speed r/min	Power (kw)		Motor (hp)	Efficiency %	Impeller Diam. inch	(NPSH) r ft
	m ³ /h	gpm			Shaft	Motor				
EAZS65/13-15002	72.4	318.9	117.1	3500	10.3	15	20	68	5.5	9.8
	120.7	531.4	98		12.4	15	20	79		12.3
	144.8	637.7	82.2		13	15	20	76		13.8



Performance to ISO9906 Grade 2 for clean cold water only

EF•A02/1406

Project

Project ID

Created by

Created on

Last update