



Technical Data

End Suction Pump - EAZS80/20-75002

Revision no.

Page:

1

Receiver

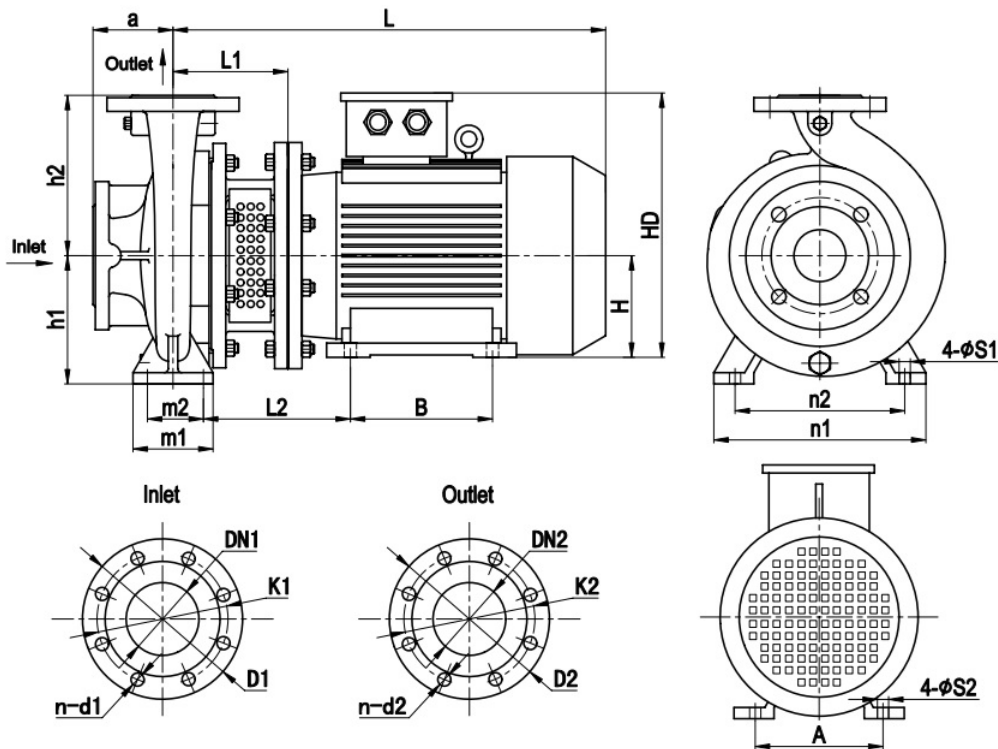
From

 Company name
 Respons. Department
 Person in charge
 Phone number
 Fax no
 E-mail address

Brand: Gol Pumps
Model: EAZS80/20-75002

Motor (B35)	
Model	hp
Y2-280S-2	100

Weight (lb)		
Pump	Motor	Pump & motor
192	1069	1259

Dimensions:


ISO7005.2 DIN2501 PN16 GB/T17241.6 PN1.6									
DN1 / DN2	1.25	1.5	2	2.5	3	4	5	6	8
D1 / D2	5.51	5.91	6.50	7.28	7.87	8.66	9.84	11.22	13.39
K1 / K2	3.94	4.33	4.92	5.71	6.30	7.09	8.27	9.45	11.61
n-d1 / n-d2	4-Ø18	4-Ø18	4-Ø18	4-Ø18	8-Ø18	8-Ø18	8-Ø18	8-Ø22	12-Ø22

Inlet and outlet flange	
DN1	DN2
4	3

Pump installation size (inch)															
a	h1	h2	L1	L2	L	A	B	H	HD	m1	m2	n1	n2	S1	S2
4.9	7.1	9.8	10.7	16.3	44	18	14.5	11	26.8	4.9	3.7	13.6	11	0.6	0.9

Project

Project ID

Created by

Created on

Last update



Performance Curves

End Suction Pump - EAZS80/20-75002

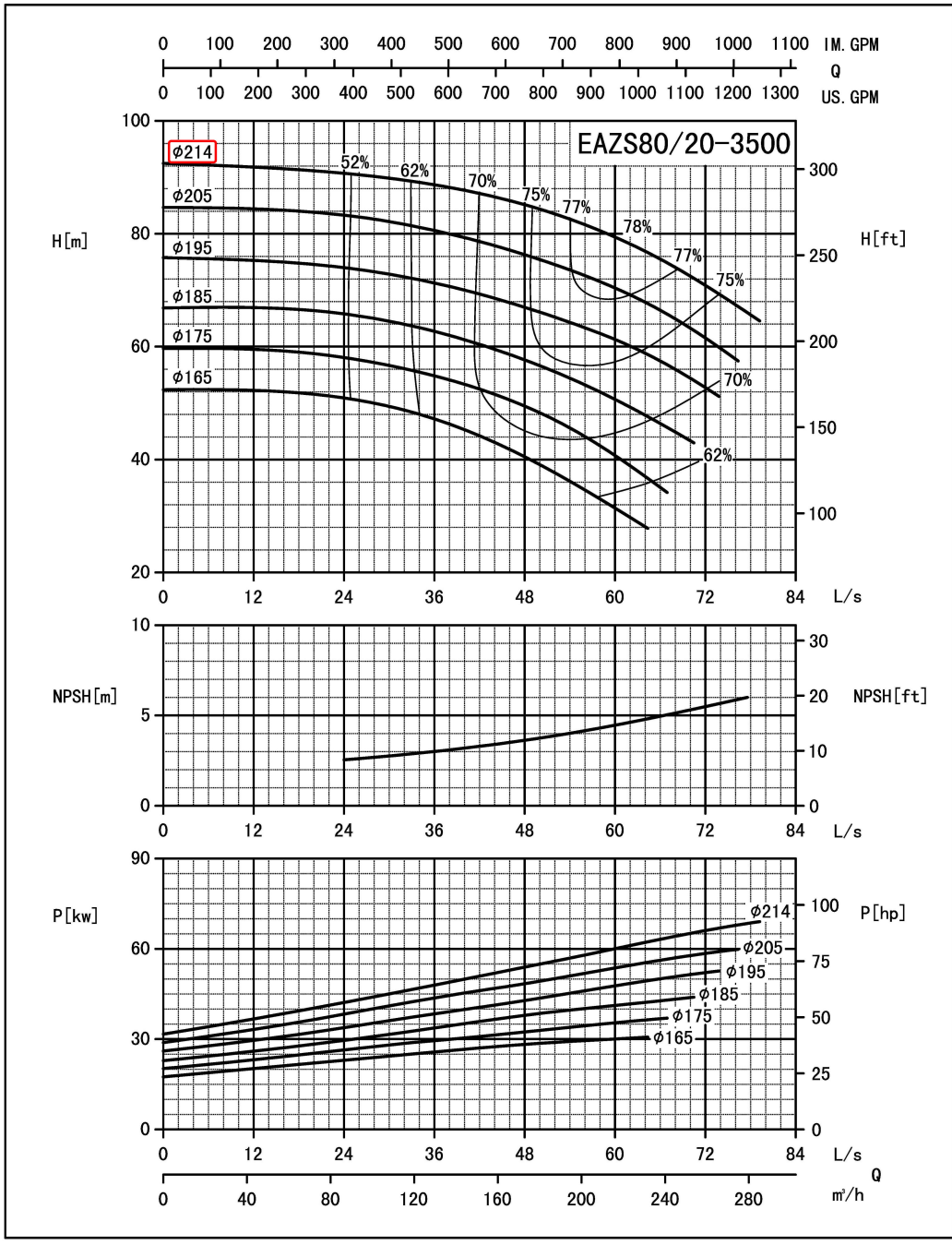
Revision no. _____
 Page: 2

Company name _____
 Respons. Department _____
 Person in charge _____
 Phone number _____
 Fax no _____
 E-mail address _____

Receiver _____

From _____

Model	Capacity		Head ft	Speed r/min	Power (kw)		Motor (hp)	Efficiency %	Impeller Diam. inch	(NPSH) r ft
	m ³ /h	gpm			Shaft	Motor				
EAZS80/20-75002	137.6	605.8	289.1	3500	49.3	55	75	67	8.4	10.2
	229.3	1009.7	251.8		61.6	75	100	77.8		15.7
	275.2	1211.6	219.8		68.3	75	100	73.5		19



Performance to ISO9906 Grade 2 for clean cold water only

EF-A01/1406

Project _____	Project ID _____	Created by _____	Created on _____	Last update _____
---------------	------------------	------------------	------------------	-------------------