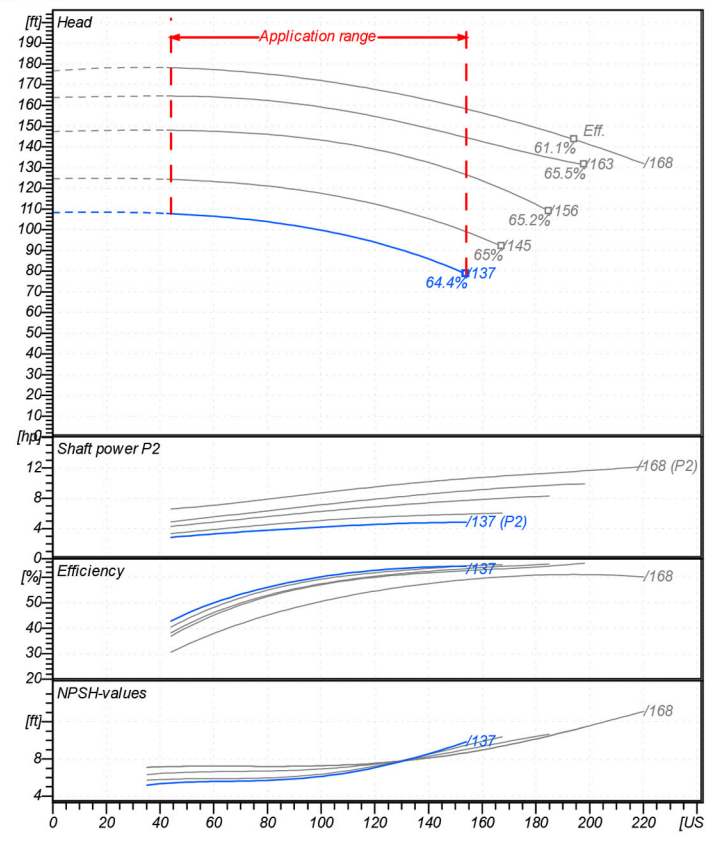


Company name
Respons. Department
Person in charge
Phone number
Fax no
E-mail address

Receiver	From



Operating data specification

Nominal flow	US g.p.m	0
Nominal head	ft	0
Static head	ft	0
NPSH - value of plant	ft	0
Inlet pressure	psi	1.42
Fluid	Water, pure	
Operating temperature t A	°F	68
Density at t A	lb/ft³	62.32
Kin. viscosity at t A	ft²/s	1.082E-5

Pump			
Pump name	6BP11/137		
Size			
Design			
Speed rpm	3550		
No of stages	1		
Impeller type			
Flow	Nominal	US g.p.m	
	Max-	US g.p.m	154
	Min-	US g.p.m	44
Head	Nominal	ft	
	Max-	ft	108
	Min-	ft	78.6
Head H(Q=0)	ft	108	
NPSH 3%	ft		
Max. working pressure	psi	46.9	
Shaft power	hp		
Efficiency	%		
Max absorbed power	hp	4.8275	

Materials Pump			
Shaft	Stainless steel AISI 431 (1.4057)		
Impeller	Cast iron EN-GJL-250		
Pump body	Cast iron EN-GJL-250		
Seal disc	Cast iron EN-GJL-250		
Gasket	Natural fiber		
Mechanical seal	BVEG (Grafito/Ossido Allumina/EPDM)		
Motor	Frame size	90	
Manufacturer / Type	SAER 90-2P-4		
Rated power hp	4.0231	Efficiency 4/4	84.5 %
Electric current A	6.2	Speed rpm	2885
Electric voltage V	460 V	3~	Hz 60
Starting mode	Unknown		
Degree of protection	IP 55	Insulation class	F

Dimensions in inch

Remarks:

Project	Project ID	Created by	Created on	Last update
			2020/07/07	



Receiver

From

Company name
 Respons. Department
 Person in charge
 Phone number
 Fax no
 E-mail address

Operating area

Flow

Head

Impeller type

Operating data specification

0 US g.p.m

0 ft

Impeller construction

Sense of rotation

Clockwise from the drive end

Pump data

US g.p.m

ft

Outlet width

G2"

Speed

rpm 3550

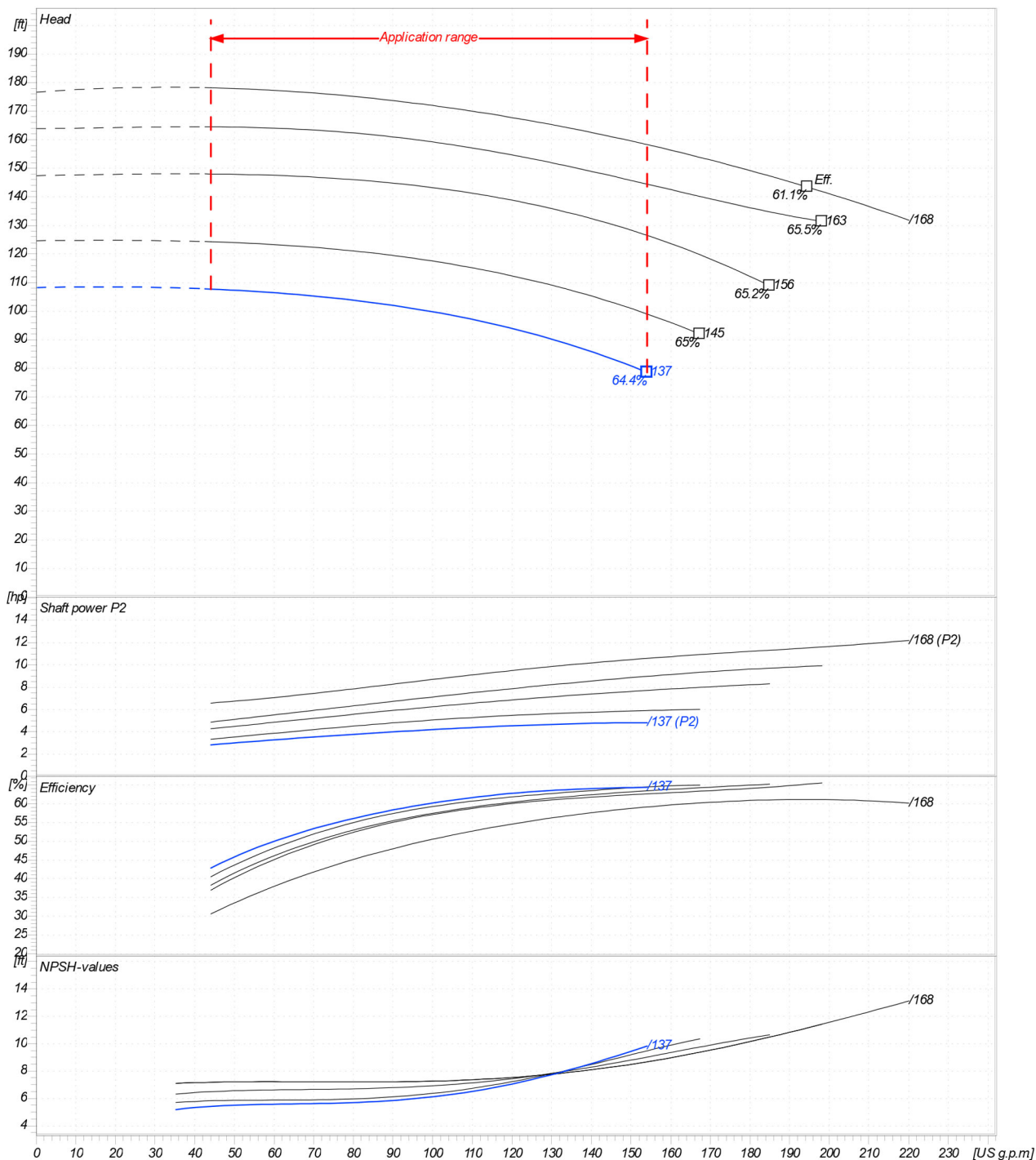
Frequency

Hz 60 Hz

Flow		Head			Shaft power P2		
Min.	Max.	η Max.	H(Q=0)	η Max.	P2(Q=0)	Max.	η Max.
US g.p.m	US g.p.m	US g.p.m	ft	ft	hp	hp	hp
44	154	154	108	78.6		4.83	4.83

Performance data based to: Water, pure [100%]; 68°F; 62.3lb/ft³; 1.08E-5ft²/s

UNI EN ISO 9906:2012 - Grade 3B



Project

Project ID

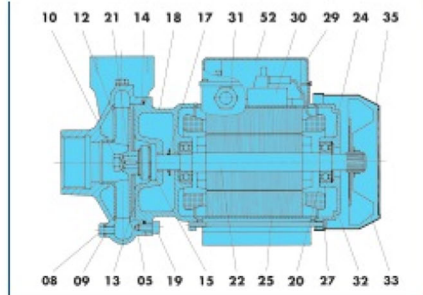
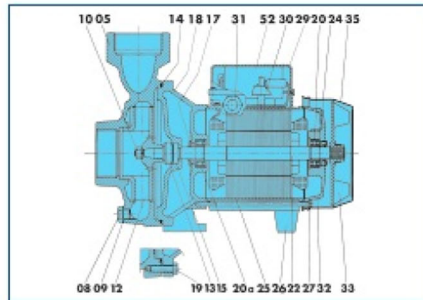
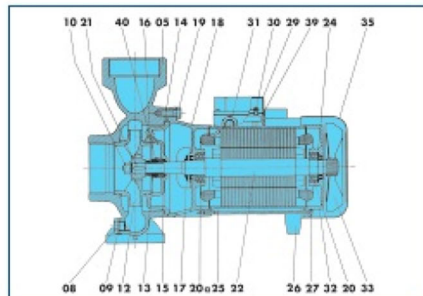
Created by

 Created on
 2020/07/07

Last update



Company name
 Respons. Department
 Person in charge
 Phone number
 Fax no
 E-mail address


8BP 3-4-5

8BP 6

8BP 7-8-9-10-11-12-13-14-15-16-17

REF. REF. NUM.	COMPONENT	COMPONENTE	COMPONENTE
05	Pump body	Corpo pompa	Cuerpo de bomba
08	Plug	Tappo	Tapon
09	Gasket	Guarnizione	Empaquetadura
10	Nut	Dado	Tuerca
12	Impeller	Girante	Impulsor
13	Rotating mechanical seal	Parte rotante tenuta meccanica	Cierre mecanico parte girante
14	O-Ring	Anello OR	Anillo OR
15	Fixed mechanical seal	Parte fissa tenuta meccanica	Cierre mecanico parte fija
16	Seal holding disc	Disco porta tenuta	Anillo intermedio
17	Drop guard	Paragocce	Paragotas
18	Support	Supporto	Soporte
19	Screw	Vite	Tomillo
20	Bearing	Cuscinetto	Cojinete
20a	Bearing	Cuscinetto	Cojinete
21	Key	Linguetta	Chaveta
22	Rotating shaft	Albero rotante	Eje rotatorio
24	Circlip	Anello elastico	Anillo elastico
25	Casing with wound stator	Carcassa statore avvolto	Carcasa estator envuelto
26	Foot	Piede	Pie
27	Tie-rod	Tirante	Tirante
29	Terminal board cover	Coperchio morsettiere	Tapa de bornes
30	Terminal board	Morsettiere	Bornes
31	Fairlead	Pressacavo	Guia
32	Driving cap	Calotta motore	Tapa motor
33	Fan	Ventola	Ventilador
35	Fan cover	Copriventola	Tapa ventilador
39	Terminal board gasket	Guarnizione morsettiere	Empaquetadura bornes
40	Bushing	Bussola	Casquillo
52	Capacitor	Condensatore	Condensador

Project

Project ID

Created by

Created on

2020/07/07

Last update


GOL PUMPS TECHNOLOGY INC

3750 NW 114 AVE #6 MIAMI, FL 33178

Ph: +1 (786) 615 8984

Fax: +1 (786) 615 7043

Info@golpumps.com

www.golpumps.com