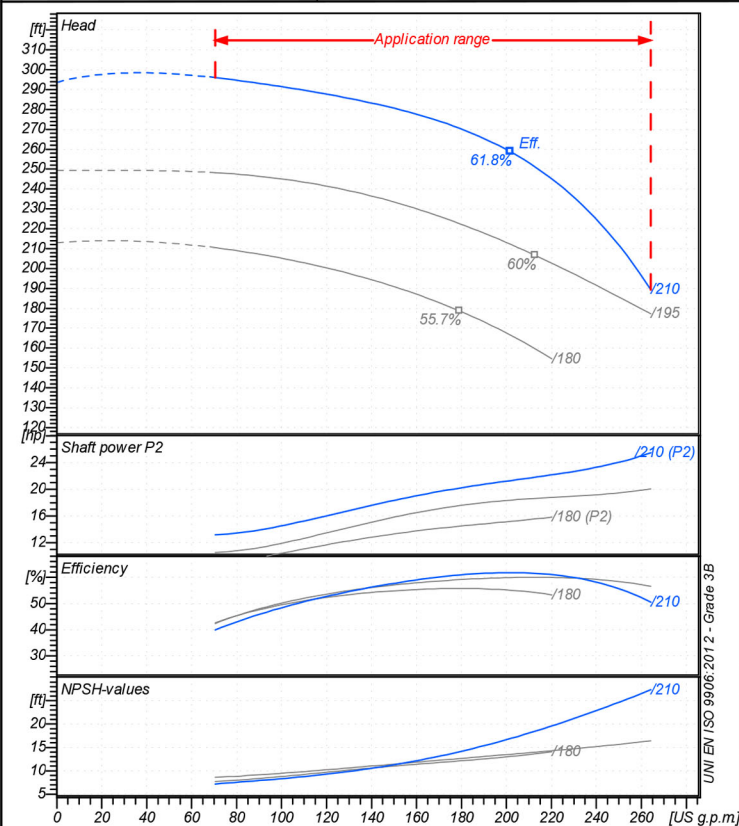




Receiver

From

 Company name  
 Respons. Department  
 Person in charge  
 Phone number  
 Fax no  
 E-mail address

**Operating data specification**

Nominal flow	US g.p.m	0
Nominal head	ft	0
Static head	ft	0
NPSH - value of plant	ft	0
Inlet pressure	psi	1.42
Fluid	Water, pure	
Operating temperature t A	°F	68
Density at t A	lb/ft³	62.32
Kin. viscosity at t A	ft²/s	1.082E-5

**Pump**

Pump name		6BP12N/210	
Size			
Design			
Speed	rpm	3550	No of stages
Impeller type			
Flow	Nominal	US g.p.m	
	Max-	US g.p.m	264
	Min-	US g.p.m	70.4
Head	Nominal	ft	
	Max-	ft	296
	Min-	ft	189
Head H(Q=0)		ft	294
NPSH 3%		ft	
Max. working pressure		psi	127
Shaft power		hp	
Efficiency		%	
Max absorbed power		hp	25.465

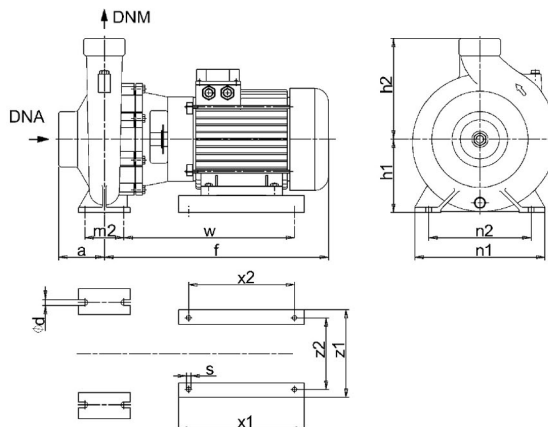
**Materials Pump**

Shaft	Stainless steel AISI 431 (1.4057)
Impeller	Cast iron EN-GJL-250
Pump body	Cast iron EN-GJL-250
Seal disc	Cast iron EN-GJL-250
Gasket	Natural fiber
Mechanical seal	BVEG (Grafito/Ossido Allumina/EPDM)

<b>Motor</b>	Frame size	160		
Manufacturer / Type	SAER	160-2P-25		
Rated power	hp	24.809	Efficiency 4/4	91.1 %
Electric current	A	62	Speed	rpm 3530
Electric voltage	V	230 V	3~	Hz 60
Starting mode	Unknown			
Degree of protection	IP 55	Insulation class	F	

**Dimensions in inch**

a	2 <sup>15</sup> / <sub>16</sub>
d	9 <sup>1</sup> / <sub>16</sub>
f	25 <sup>3</sup> / <sub>16</sub>
h1	6 <sup>9</sup> / <sub>16</sub>
h2	8 <sup>1</sup> / <sub>4</sub>
m2	2 <sup>3</sup> / <sub>4</sub>
n1	10 <sup>7</sup> / <sub>16</sub>
n2	8 <sup>3</sup> / <sub>8</sub>
w	11 <sup>15</sup> / <sub>16</sub>
x1	304;
x2	254;
z1	320;
z2	254;



Remarks:

Project	Project ID	Created by	Created on	Last update
---------	------------	------------	------------	-------------

2020/07/07



Receiver

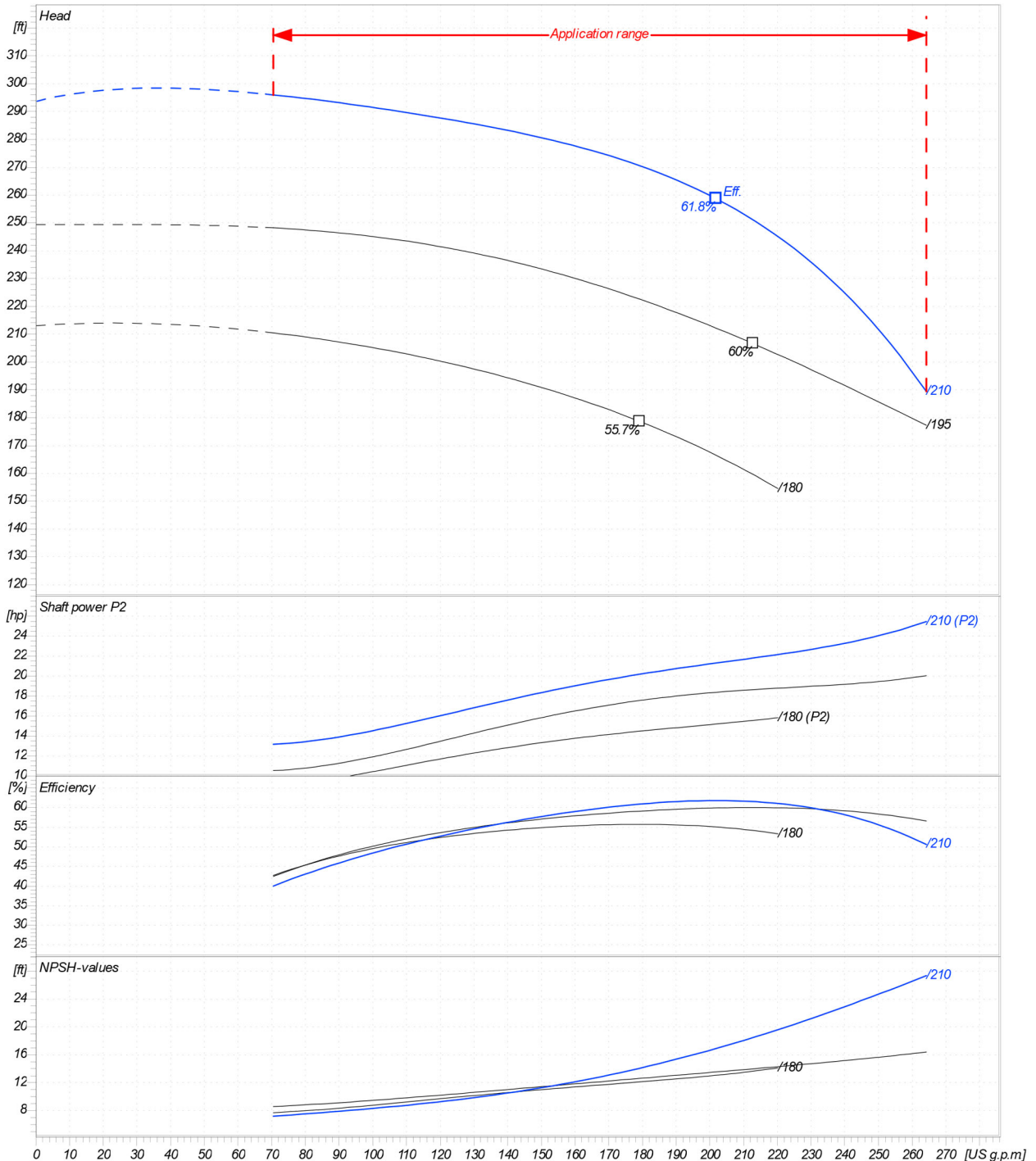
From

 Company name  
 Respons. Department  
 Person in charge  
 Phone number  
 Fax no  
 E-mail address

Operating area	Flow		Head		Impeller type			
Operating data specification	0	US g.p.m	0	ft	Impeller construction			
Pump data	US g.p.m		ft		Sense of rotation			
					Clockwise from the drive end			
					Outlet width			
					G2"			
					Speed	rpm 3550		
					Frequency	Hz 60 Hz		
	Flow		Head		Shaft power P2			
	Min.	Max.	$\eta$ Max.	H(Q=0)	$\eta$ Max.	P2(Q=0)	Max.	$\eta$ Max.
	US g.p.m	US g.p.m	US g.p.m	ft	ft	hp	hp	hp
	70.4	264	202	294	259		25.5	21.3

Performance data based to: Water, pure [100%]; 68°F; 62.3lb/ft³; 1.08E-5ft²/s

UNI EN ISO 9906:2012 - Grade 3B



Project

Project ID

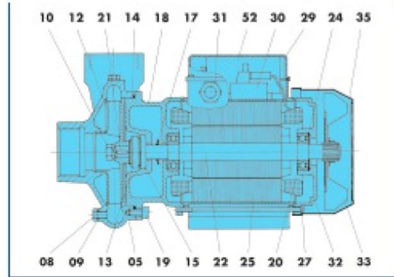
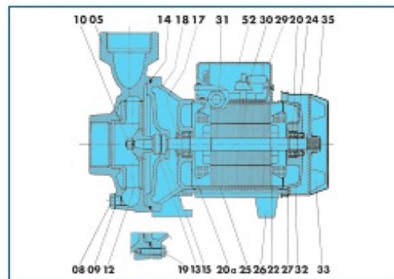
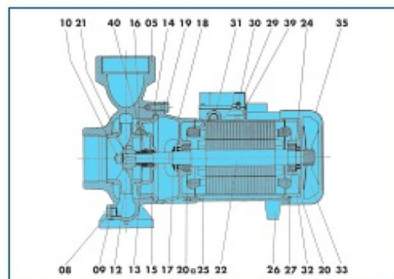
Created by

 Created on  
2020/07/07

Last update



Company name  
Respons. Department  
Person in charge  
Phone number  
Fax no  
E-mail address


**6BP 3-4-5**

**6BP 6**

**6BP 7-8-9-10-11-12-13-14-15-16-17**

REF. REF. NUM.	COMPONENT	COMPONENTE	COMPONENTE
06	Pump body	Corpo pompa	Cuerpo de bomba
08	Plug	Tappo	Tapon
09	Gasket	Guarnizione	Empaquetadura
10	Nut	Dado	Tuerca
12	Impeller	Girante	Impulsor
13	Rotating mechanical seal	Parte rotante tenuta meccanica	Cierre mecanico parte girante
14	O-Ring	Anello OR	Anillo OR
15	Fixed mechanical seal	Parte fissa tenuta meccanica	Cierre mecanico parte fija
16	Seal holding disc	Disco porta tenuta	Anillo intermedio
17	Drop guard	Paragocce	Paragotas
18	Support	Supporto	Soporte
19	Screw	Vite	Tomillo
20	Bearing	Cuscinetto	Cojinete
20a	Bearing	Cuscinetto	Cojinete
21	Key	Lingetta	Chaveta
22	Rotating shaft	Albero rotante	Eje rotatorio
24	Circclip	Anello elastico	Anillo elastico
25	Casing with wound stator	Carcassa statore avvolto	Carcasa estator envasado
26	Foot	Piede	Pie
27	Tie-rod	Tirante	Tirante
29	Terminal board cover	Coperchio morsettiere	Tapa de bornes
30	Terminal board	Morsettiere	Bornes
31	Fairlead	Pressacavo	Guia
32	Driving cap	Calotta motore	Tapa motor
33	Fan	Ventola	Ventilador
35	Fan cover	Copriventola	Tapa ventilador
39	Terminal board gasket	Guarnizione morsettiere	Empaquetadura bornes
40	Bushing	Bussola	Casquillo
62	Capacitor	Condensatore	Condensador

Project	Project ID	Created by	Created on <b>2020/07/07</b>	Last update
---------	------------	------------	---------------------------------	-------------

SAER Elettropompe spa - V. Circonvallazione, 22 - 42016 Guastalla (RE) Italy - tel +390522830941 - fax +390522826948 - www.saerelettropompe.com - Modification without advise!



## GOL PUMPS TECHNOLOGY INC

3750 NW 114 AVE #6 MIAMI, FL 33178

Ph: +1 (786) 615 8984

Fax: +1 (786) 615 7043

Info@golpumps.com

www.golpumps.com