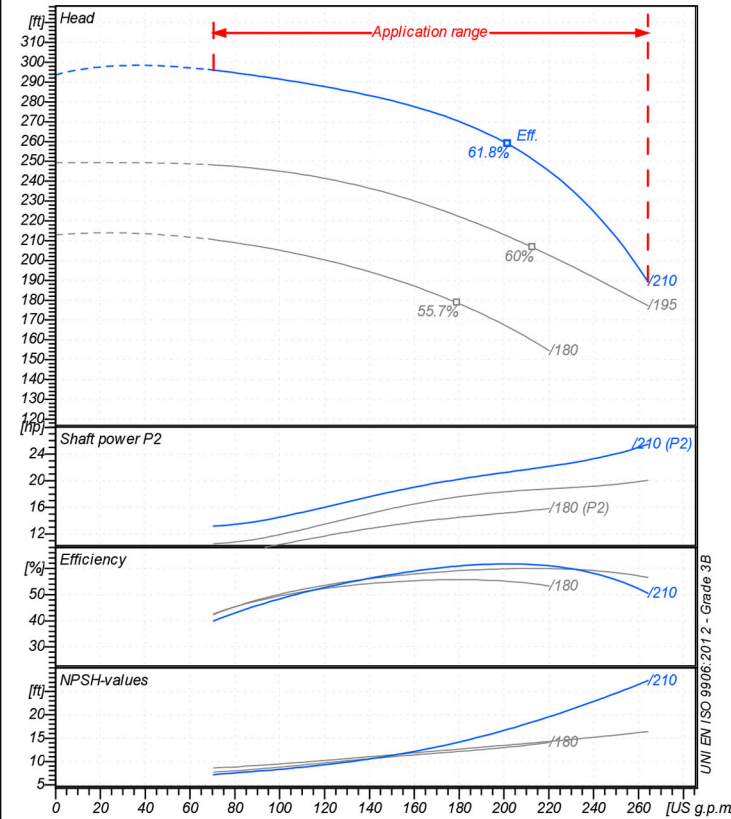




Receiver

From

 Company name
 Respons. Department
 Person in charge
 Phone number
 Fax no
 E-mail address


Operating data specification

Nominal flow	US g.p.m.	0
Nominal head	ft	0
Static head	ft	0
NPSH - value of plant	ft	0
Inlet pressure	psi	1.42
Fluid	Water, pure	
Operating temperature t A	°F	68
Density at t A	lb/ft³	62.32
Kin. viscosity at t A	ft²/s	1.082E-5

Pump

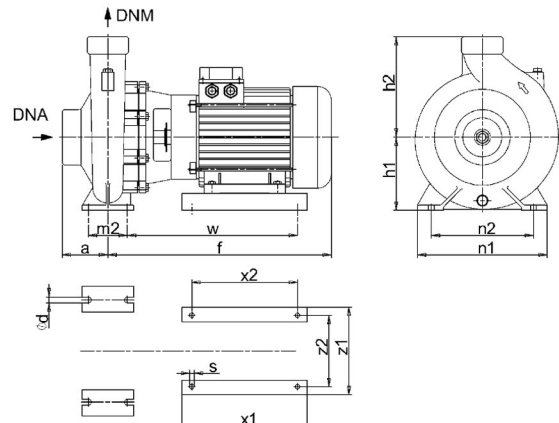
Pump name		6BP12N/210	
Size			
Design			
Speed	rpm	3550	No of stages
Impeller type			
Flow	Nominal	US g.p.m.	
	Max-	US g.p.m.	264
	Min-	US g.p.m.	70.4
Head	Nominal	ft	
	Max-	ft	296
	Min-	ft	189
Head H(Q=0)		ft 294	
NPSH 3%		ft	
Max. working pressure		psi 127	
Shaft power		hp	
Efficiency		%	
Max absorbed power		hp 25.465	

Materials Pump

Shaft	Stainless steel AISI 431 (1.4057)
Impeller	Cast iron EN-GJL-250
Pump body	Cast iron EN-GJL-250
Seal disc	Cast iron EN-GJL-250
Gasket	Natural fiber
Mechanical seal	BVEG (Grafito/Ossido Allumina/EPDM)

Dimensions in inch

a	2 ¹⁵ / ₁₆
d	9 ⁹ / ₁₆
f	25 ³ / ₁₆
h1	6 ⁵ / ₁₆
h2	8 ¹ / ₄
m2	2 ³ / ₄
n1	10 ⁷ / ₁₆
n2	8 ³ / ₈
w	11 ¹⁵ / ₁₆
x1	304;
x2	254;
z1	320;
z2	254;



Motor	Frame size	160		
Manufacturer / Type	SAER 160-2P-25			
Rated power	hp	24.809	Efficiency 4/4	91.1 %
Electric current	A	31	Speed	rpm 3530
Electric voltage	V	460 V	3~	Hz 60
Starting mode	Unknown			
Degree of protection	IP 55	Insulation class	F	

Remarks:

Project	Project ID	Created by	Created on	Last update
			2020/07/07	

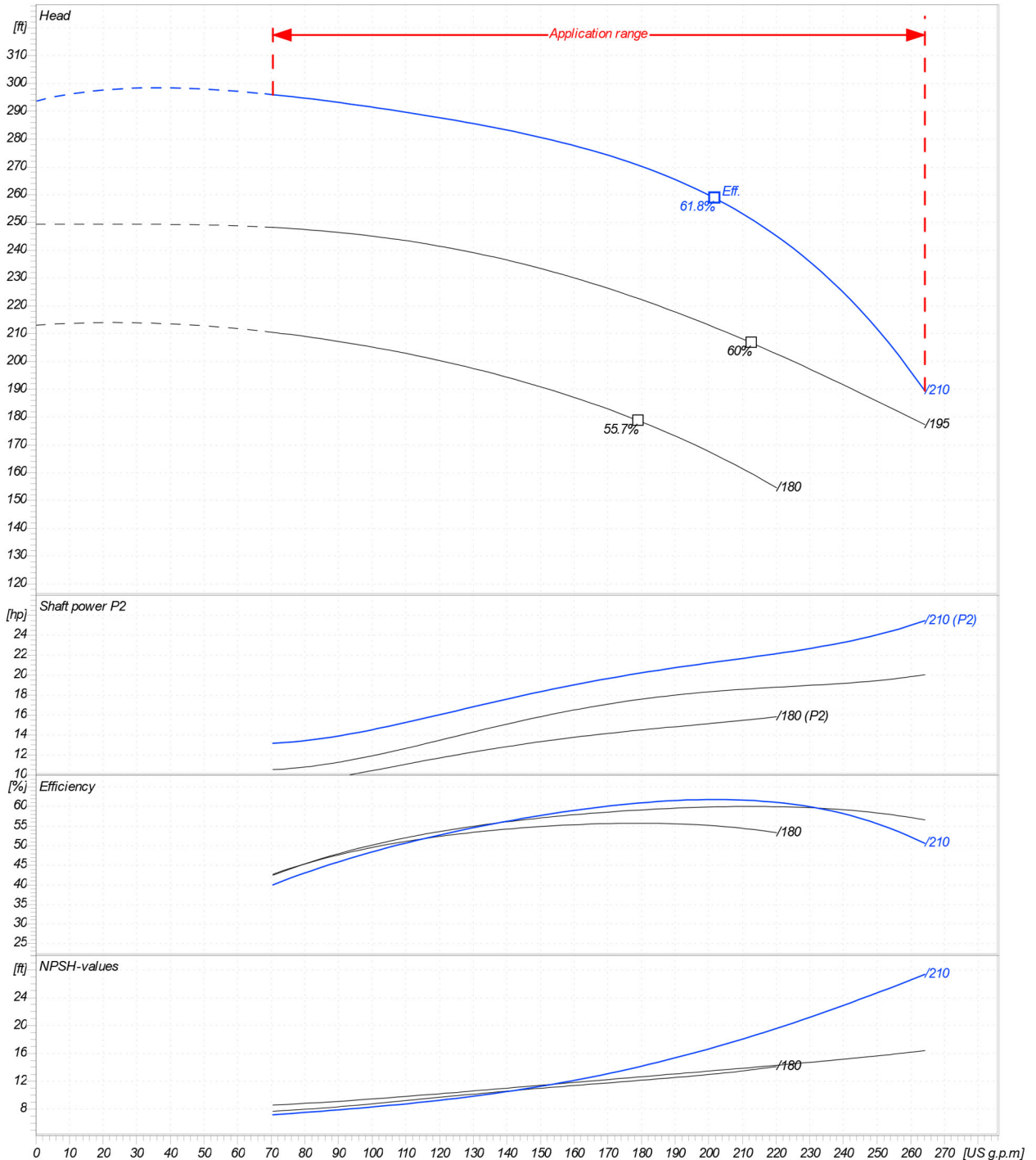


Receiver	From
Company name	
Respons. Department	
Person in charge	
Phone number	
Fax no	
E-mail address	

Operating area	Flow	Head	Impeller type
Operating data specification	0 US g.p.m	0 ft	Impeller construction
Pump data	US g.p.m	ft	Sense of rotation Clockwise from the drive end
			Outlet width G2"
			Speed rpm 3550
			Frequency Hz 60 Hz
	Flow	Head	Shaft power P2
	Min. Max. η Max.	H(Q=0) η Max.	P2(Q=0) Max. η Max.
	US g.p.m US g.p.m	ft ft	hp hp hp
	70.4 264 202	294 259	25.5 21.3

Performance data based to: Water, pure [100%]; 68°F; 62.3lb/ft³; 1.08E-5ft²/s

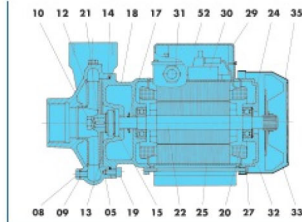
UNI EN ISO 9906:2012 - Grade 3B



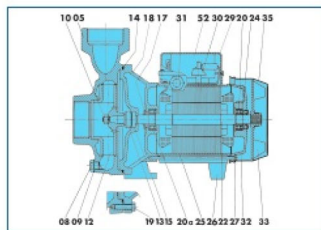
Project	Project ID	Created by	Created on 2020/07/07	Last update
---------	------------	------------	--------------------------	-------------



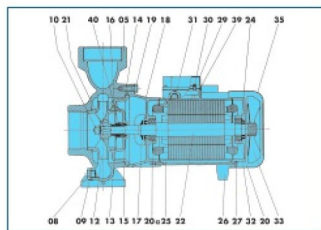
Company name
 Respons. Department
 Person in charge
 Phone number
 Fax no
 E-mail address



6BP 3-4-5



6BP 6



6BP 7-8-9-10-11-12-13-14-15-16-17

REF. REF. NUM.	COMPONENT	COMPONENTE	COMPONENTE
05	Pump body	Corpo pompa	Cuerpo de bomba
08	Plug	Tappo	Tapón
09	Gasket	Guarnizione	Empaquetadura
10	Nut	Dado	Tuerca
12	Impeller	Girante	Impulsor
13	Rotating mechanical seal	Parte rotante tenuta meccanica	Cierre mecanico parte girante
14	O-Ring	Anello OR	Anillo OR
15	Fixed mechanical seal	Parte fissa tenuta meccanica	Cierre mecanico parte fija
16	Seal holding disc	Disco porta tenuta	Anillo intermedio
17	Drop guard	Paragocia	Paragotas
18	Support	Supporto	Soporte
19	Screw	Vite	Tornillo
20	Bearing	Cuscinetto	Cojinete
20a	Bearing	Cuscinetto	Cojinete
21	Key	Linguetta	Chaveta
22	Rotating shaft	Albero rotante	Eje rotorario
24	Circlip	Anello elastico	Anillo elastico
25	Casing with wound stator	Carcassa statore avvolto	Carcasa estator envuelto
26	Foot	Pieda	Pie
27	Tie-rod	Tirante	Tirante
29	Terminal board cover	Coperchio morsettera	Tapa de bornes
30	Terminal board	Morsettera	Bornes
31	Fairlead	Pressacavo	Guia
32	Driving cap	Cajotta motore	Tapa motor
33	Fan	Ventola	Ventilador
35	Fan cover	Copriventola	Tapa ventilador
39	Terminal board gasket	Guarnizione morsettera	Empaquetadura bornes
40	Bushing	Bussola	Casquillo
52	Capacitor	Condensatore	Condensador

Project

Project ID

Created by

 Created on
 2020/07/07

Last update


GOL PUMPS TECHNOLOGY INC

3750 NW 114 AVE #6 MIAMI, FL 33178

Ph: +1 (786) 615 8984

Fax: +1 (786) 615 7043

Info@golpumps.com

www.golpumps.com