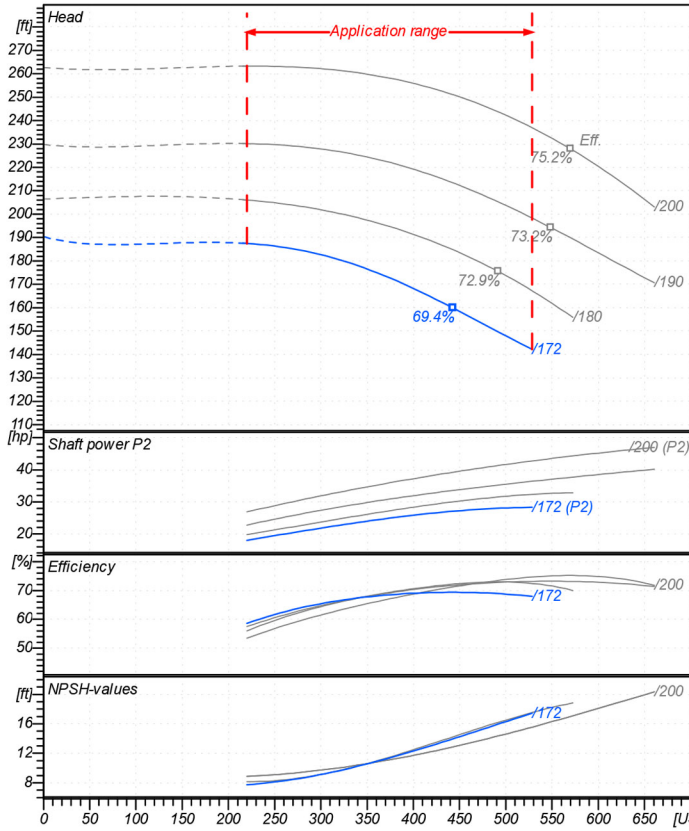




Receiver

From

 Company name
 Respons. Department
 Person in charge
 Phone number
 Fax no
 E-mail address


Operating data specification

Nominal flow	US g.p.m	0
Nominal head	ft	0
Static head	ft	0
NPSH - value of plant	ft	0
Inlet pressure	psi	1.42
Fluid	Water, pure	
Operating temperature t A	°F	68
Density at t A	lb/ft ³	62.32
Kin. viscosity at t A	ft ² /s	1.082E-5

Pump

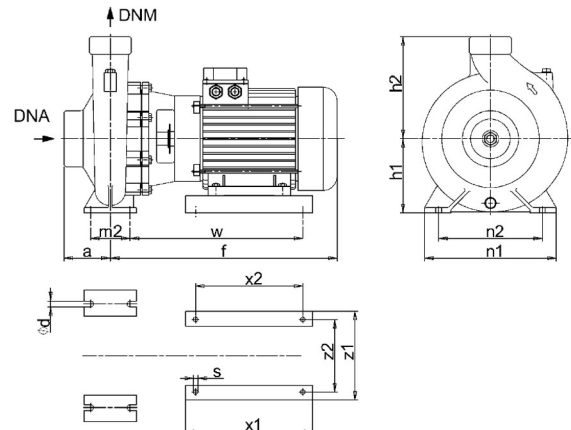
Pump name		6BP16/172	
Size			
Design			
Speed	rpm	3550	No of stages 1
Impeller type			
Flow	Nominal	US g.p.m	
	Max-	US g.p.m	528
	Min-	US g.p.m	220
Head	Nominal	ft	
	Max-	ft	187
	Min-	ft	142
Head H(Q=0)		ft	190
NPSH 3%		ft	
Max. working pressure		psi	82.4
Shaft power		hp	
Efficiency		%	
Max absorbed power		hp	28.301

Materials Pump

Shaft	Stainless steel AISI 431 (1.4057)
Impeller	Cast iron EN-GJL-250
Pump body	Cast iron EN-GJL-250
Seal disc	Cast iron EN-GJL-250
Gasket	Natural fiber
Mechanical seal	BVEG (Grafite/Ossido Allumina/EPDM)

Dimensions in inch

a	3 ⁵ / ₈		
d	9 ¹ / ₁₆		
h1	7 ¹ / ₁₆		
h2	9 ¹³ / ₁₆		
m2	3 ³ / ₄		
n1	12 ⁵ / ₈		
n2	9 ¹³ / ₁₆	G	3" G 3"
w	18 ¹ / ₄		
x1	304;		
x2	254;		
z1	320;		
z2	254;		



Motor		Frame size	160	
Manufacturer / Type		SAER 160-2P-25		
Rated power	hp	24.809	Efficiency 4/4	91.1 %
Electric current	A	31	Speed	rpm 3530
Electric voltage	V	460 V	3~	Hz 60
Starting mode	Unknown			
Degree of protection	IP 55	Insulation class	F	

Remarks:

Project	Project ID	Created by	Created on	Last update
			2020/07/07	



Receiver

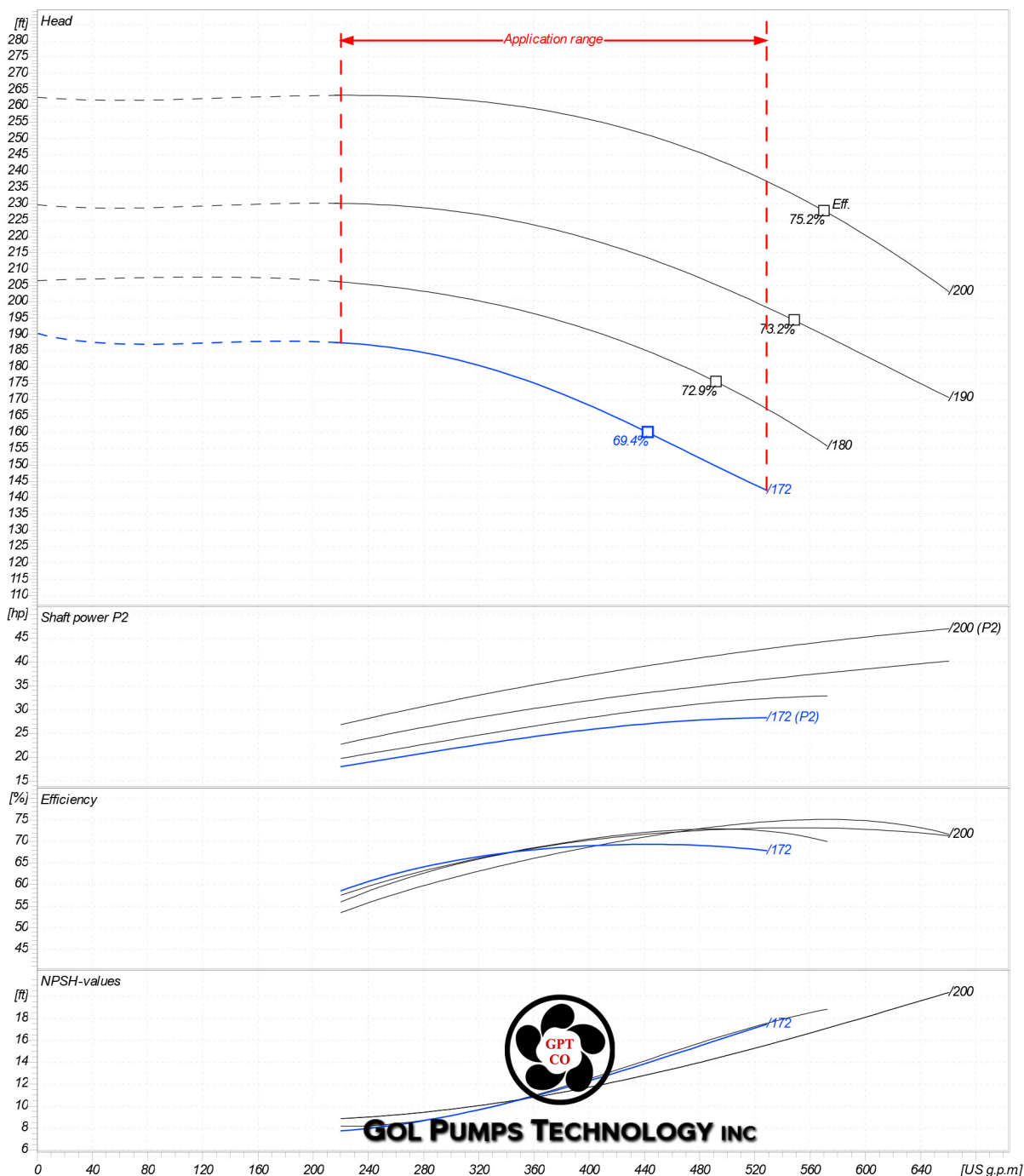
From

Company name
Respons. Department
Person in charge
Phone number
Fax no
E-mail address

Operating area	Flow		Head		Impeller type	
Operating data specification	0	US g.p.m	0	ft	Impeller construction	
Pump data	US g.p.m		ft		Sense of rotation	
					Clockwise from the drive end	
					Outlet width	
					G3"	
					Speed	rpm 3550
					Frequency	Hz 60 Hz
	Flow		Head		Shaft power P2	
	Min.	Max.	η Max.	H(Q=0)	η Max.	P2(Q=0)
	US g.p.m	US g.p.m	US g.p.m	ft	ft	hp
	220	528	443	190	160	28.3
						hp
						27.1

Performance data based to: Water, pure [100%]; 68°F; 62.3lb/ft³; 1.08E-5ft³/s

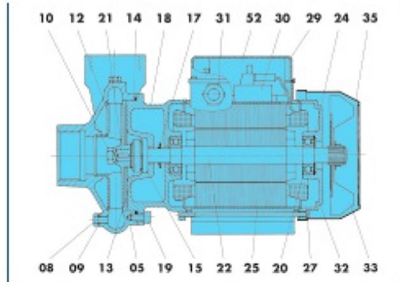
UNI EN ISO 9906:2012 - Grade 3B



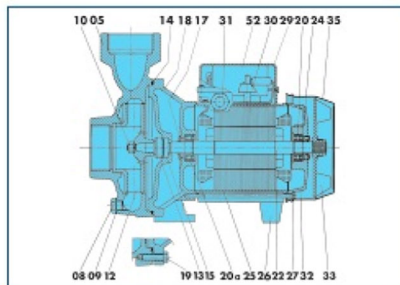
GOL PUMPS TECHNOLOGY INC

Project	Project ID	3750 NW 114 AVE #6 MIAMI, FL 33178	Created by	Created on	Last update
		Ph: +1 (786) 615 8984		2020/07/07	
			Fax: +1 (786) 615 7043		

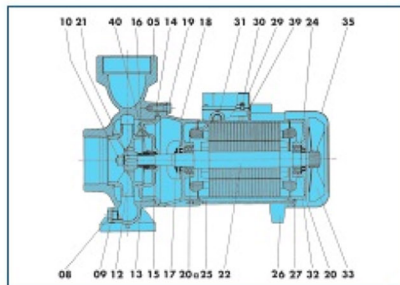
Company name
Respons. Department
Person in charge
Phone number
Fax no
E-mail address



6BP 3-4-5



6BP 6



6BP 7-8-9-10-11-12-13-14-15-16-17

RIF. REF. NUM.	COMPONENT	COMPONENTE	COMPONENTE
05	Pump body	Corpo pompa	Cuerpo de bomba
08	Plug	Tappo	Tapon
09	Gasket	Guarnizione	Empaquetadura
10	Nut	Dado	Tuerca
12	Impeller	Girante	Impulsor
13	Rotating mechanical seal	Parte rotante tenuta meccanica	Cierre mecanico parte girante
14	O-Ring	Anello OR	Anillo OR
15	Fixed mechanical seal	Parte fissa tenuta meccanica	Cierre mecanico parte fija
16	Seal holding disc	Disco porta tenuta	Anillo intermedio
17	Drop guard	Paragocce	Paragotas
18	Support	Supporto	Soporte
19	Screw	Vite	Tomillo
20	Bearing	Cuscinetto	Cojinete
20a	Bearing	Cuscinetto	Cojinete
21	Key	Linguetta	Chaveta
22	Rotating shaft	Albero rotante	Eje rotatorio
24	Circlip	Anello elastico	Anillo elastico
25	Casing with wound stator	Carcassa statore avvolto	Carcasa estator envuelto
26	Foot	Piede	Pie
27	Tie-rod	Tirante	Tirante
29	Terminal board cover	Coperchio morsettiera	Tapa de bornes
30	Terminal board	Morsettiera	Bornes
31	Fairlead	Preappeso	Guia
32	Driving cap	Calotta motore	Tapa motor
33	Fan	Ventola	Ventilador
35	Fan cover	Copriventola	Tapa ventilador
39	Terminal board gasket	Guarnizione morsettiera	Empaquetadura bornes
40	Bushing	Bussola	Casquillo
62	Capacitor	Condensatore	Condensador

Project

Project ID

Created by

 Created on
2020/07/07

Last update


GOL PUMPS TECHNOLOGY INC

3750 NW 114 AVE #6 MIAMI, FL 33178

Ph: +1 (786) 615 8984

Fax: +1 (786) 615 7043

Info@golpumps.com

www.golpumps.com