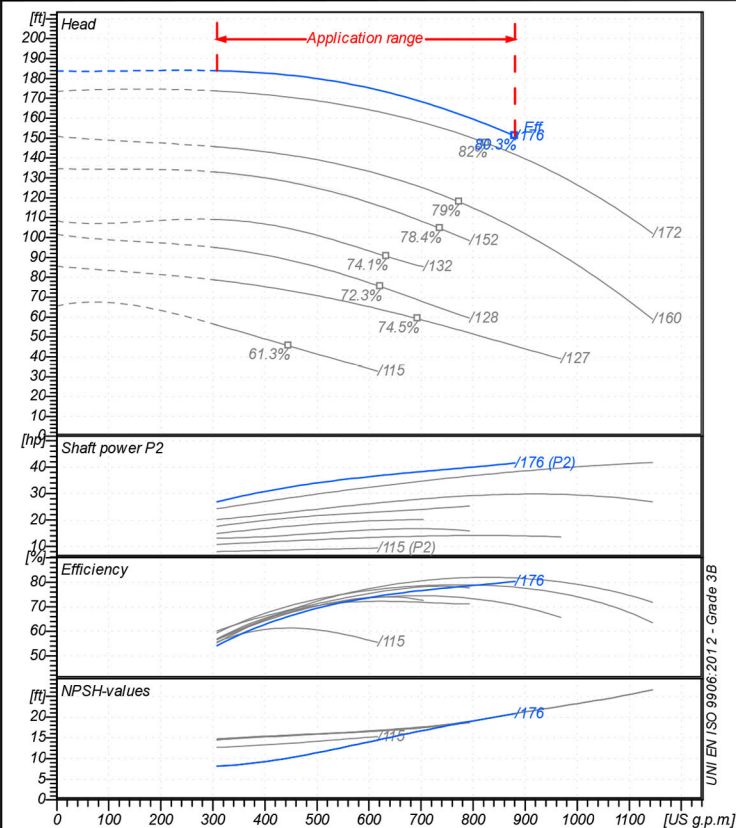




Receiver

From

 Company name
 Respons. Department
 Person in charge
 Phone number
 Fax no
 E-mail address

Operating data specification

Nominal flow	US g.p.m	0
Nominal head	ft	0
Static head	ft	0
NPSH - value of plant	ft	0
Inlet pressure	psi	1.42
Fluid	Water, pure	
Operating temperature t A	°F	68
Density at t A	lb/ft³	62.32
Kin. viscosity at t A	ft²/s	1.082E-5

Pump

Pump name	6BP17/176			
Size				
Design				
Speed	rpm	3550	No of stages	1
Impeller type				
Flow	Nominal	US g.p.m		
	Max-	US g.p.m	881	
	Min-	US g.p.m	308	
Head	Nominal	ft		
	Max-	ft	184	
	Min-	ft	151	
Head H(Q=0)	ft	184		
NPSH 3%	ft			
Max. working pressure	psi	79.6		
Shaft power	hp			
Efficiency	%			
Max absorbed power	hp	41.572		

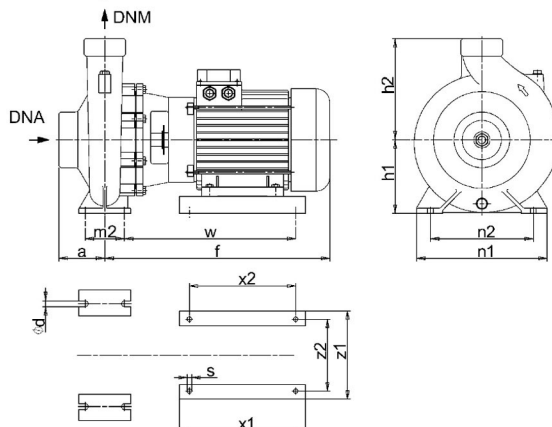
Materials Pump

Shaft	Stainless steel AISI 431 (1.4057)
Impeller	Cast iron EN-GJL-250
Pump body	Cast iron EN-GJL-250
Seal disc	Cast iron EN-GJL-250
Gasket	Natural fiber
Mechanical seal	BVEG (Grafitte/Ossido Allumina/EPDM)

Motor	Frame size	180			
Manufacturer / Type	SAER	180-2P-40			
Rated power	hp	40.231	Efficiency 4/4	86 %	
Electric current	A	98	Speed	rpm	3540
Electric voltage	V	230 V	3~	Hz	60
Starting mode	Unknown				
Degree of protection	IP 55	Insulation class	F		

Dimensions in inch

a	4		
d	9/16		
f	28 3/8		
h1	7 1/16		
h2	10 1/4		
m2	3 3/4		
n1	12 3/8	G	4" G 4"
n2	9 13/16		
w	20 1/2		
x1	320;		
x2	280;		
z1	355;		
z2	279;		



Remarks:

Project	Project ID	Created by	Created on	Last update
			2020/07/07	



Receiver

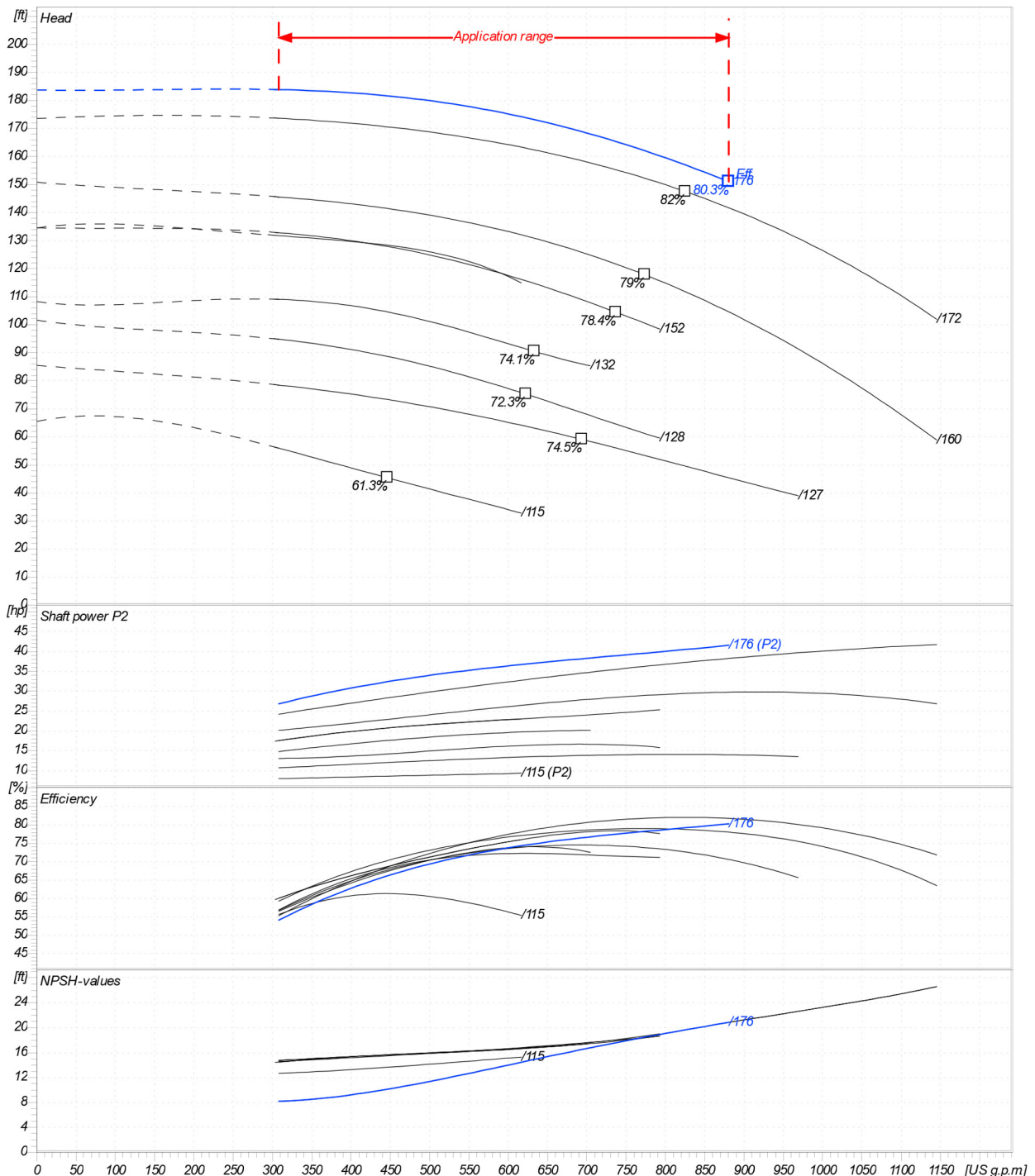
From

Company name
Respons. Department
Person in charge
Phone number
Fax no
E-mail address

Operating area	Flow	Head	Impeller type
Operating data specification	0 US g.p.m	0 ft	Impeller construction
Pump data	US g.p.m	ft	Sense of rotation Clockwise from the drive end
			Outlet width G4"
			Speed rpm 3550
			Frequency Hz 60 Hz
	Flow	Head	Shaft power P2
	Min. Max. η Max.	H(Q=0) η Max.	P2(Q=0) Max. η Max.
	US g.p.m US g.p.m US g.p.m	ft ft	hp hp hp
	308 881 881	184 151	41.6 41.6

Performance data based to: Water, pure [100%]; 68°F; 62.3lb/ft³; 1.08E-5ft²/s

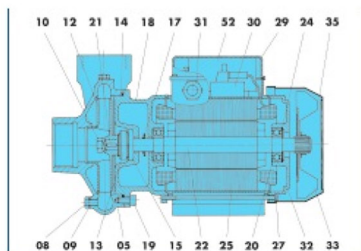
UNI EN ISO 9906:2012 - Grade 3B



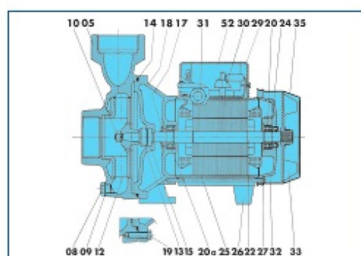
Project	Project ID	Created by	Created on 2020/07/07	Last update
---------	------------	------------	--------------------------	-------------



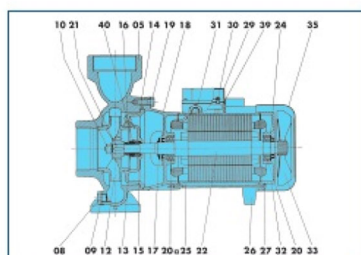
Company name
 Respons. Department
 Person in charge
 Phone number
 Fax no
 E-mail address



6BP 3-4-5



6BP 6



6BP 7-8-9-10-11-12-13-14-15-16-17

REF. REF. NUM.	COMPONENT	COMPONENTE	COMPONENTE
05	Pump body	Corpo pompa	Cuerpo de bomba
08	Plug	Tappo	Tapon
09	Gasket	Guarnizione	Empaquetadura
10	Nut	Dado	Tuerca
12	Impeller	Girante	Impulsor
13	Rotating mechanical seal	Parte rotante tenuta meccanica	Cierre mecanico parte girante
14	O-Ring	Anello OR	Anillo OR
15	Fixed mechanical seal	Parte fissa tenuta meccanica	Cierre mecanico parte fija
16	Seal holding disc	Disco porta tenuta	Anillo intermedio
17	Drop guard	Paragocce	Paragotas
18	Support	Supporto	Soporte
19	Screw	Vite	Tornillo
20	Bearing	Cuscinetto	Cojinete
20a	Bearing	Cuscinetto	Cojinete
21	Key	Linguetta	Chaveta
22	Rotating shaft	Albero rotante	Eje rotorio
24	O-ring	Anello elastico	Anillo elastico
25	Casing with wound stator	Carcassa motore avvolto	Carcasa estator envuelto
26	Foot	Piede	Pie
27	Tie-rod	Tirante	Tirante
29	Terminal board cover	Coperchio morsettiere	Tapa de bornes
30	Terminal board	Morsettiere	Bornes
31	Fairlead	Pressacavo	Guia
32	Driving cap	Calotta motore	Tapa motor
33	Fan	Ventola	Ventilador
35	Fan cover	Coprisvetola	Tapa ventilador
39	Terminal board gasket	Guarnizione morsettiere	Empaquetadura bornes
40	Bushing	Bussola	Cusquillo
52	Capacitor	Condensatore	Condensador

Project	Project ID	Created by	Created on 2020/07/07	Last update
---------	------------	------------	--------------------------	-------------

SAER Elettropompe spa - V. Circonvallazione, 22 - 42016 Guastalla (RE) Italy - tel. +390522830941 - fax +390522826948 - www.saerelettropompe.com - Modification without advise!



GOL PUMPS TECHNOLOGY INC

3750 NW 114 AVE #6 MIAMI, FL 33178

Ph: +1 (786) 615 8984

Fax: +1 (786) 615 7043

Info@golpumps.com

www.golpumps.com