



Receiver

From

Company name

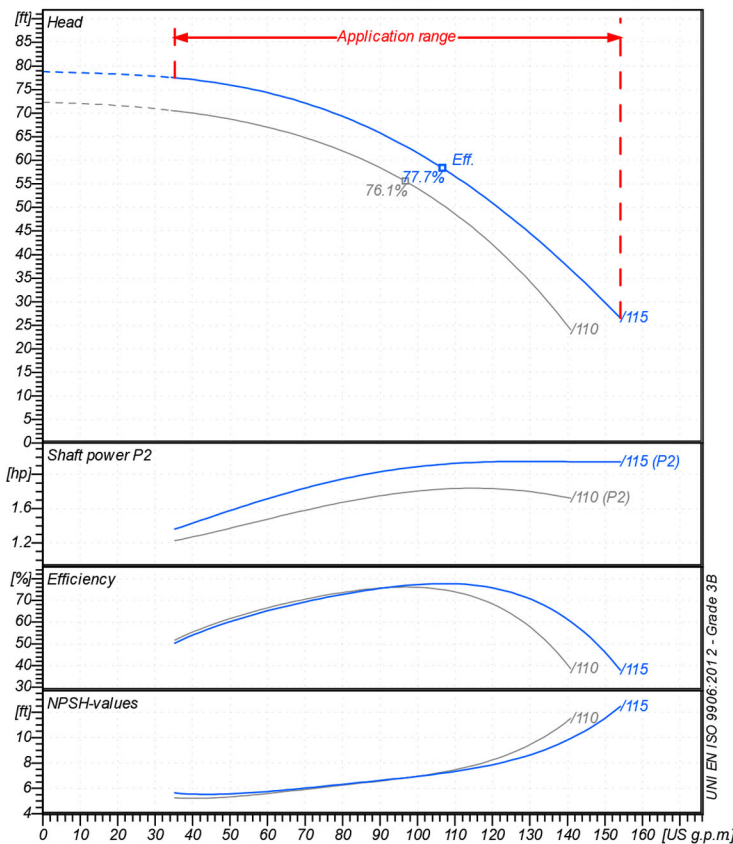
Respons. Department

Person in charge

Phone number

Fax no

E-mail address



Operating data specification

Nominal flow	US g.p.m	0
Nominal head	ft	0
Static head	ft	0
NPSH - value of plant	ft	0
Inlet pressure	psi	1.42
Fluid	Water, pure	
Operating temperature t A	°F	68
Density at t A	lb/ft ³	62.32
Kin. viscosity at t A	ft ² /s	1.082E-5

Pump

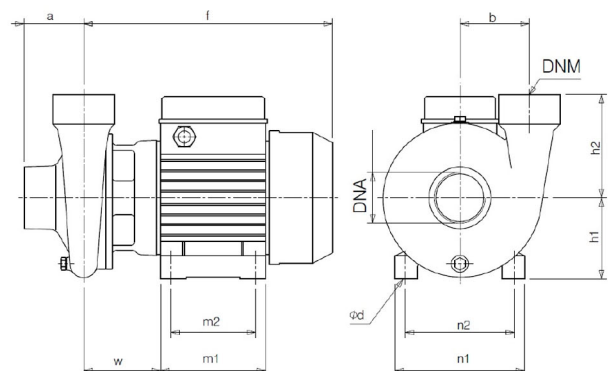
Pump name	6BP4/115			
Size				
Design				
Speed	rpm	3550	No of stages	1
Impeller type				
Flow	Nominal	US g.p.m		
	Max-	US g.p.m	154	
	Min-	US g.p.m	35.2	
Head	Nominal	ft		
	Max-	ft	77.5	
	Min-	ft	26.5	
Head H(Q=0)	ft	78.8		
NPSH 3%	ft			
Max. working pressure	psi	34.1		
Shaft power	hp			
Efficiency	%			
Max absorbed power	hp	2.1521		

Materials Pump

Shaft	Stainless steel AISI 420 (1.4028)
Impeller	Carbon steel G20Mn5 (1.6620)
Pump body	Cast iron EN-GJL-200
Support	Cast iron EN-GJL-200
OR	NBR Rubber
Mechanical seal	BXPG (Gra/Cer/NBR)

Dimensions in inch

a	2 ³ / ₄
d	3 ⁷ / ₈
f	11 ⁹ / ₁₆
h1	3 ³ / ₄
h2	4 ¹³ / ₁₆
m1	4 ⁷ / ₈
m2	3 ¹⁵ / ₁₆
n1	6
n2	4 ¹⁵ / ₁₆
w	3 ⁷ / ₁₆



Motor	Frame size	80	
Manufacturer / Type	SAER 80-2P-2		
Rated power	hp	2.0115	
Electric current	A	4.2	
Electric voltage	V	460 V	
Starting mode	Unknown		
Degree of protection	IP 55	Insulation class	F

Remarks:

Project	Project ID	Created by	Created on	Last update
			2020/07/07	



Receiver

From

Company name
Respons. Department
Person in charge
Phone number
Fax no
E-mail address

Operating area

Flow

Head

Impeller type

Operating data specification

0 US g.p.m

0 ft

Impeller construction

Sense of rotation

Clockwise from the drive end

Pump data

US g.p.m

ft

Outlet width

G2"

Flow			Head		Shaft power P2		
Min.	Max.	η Max.	H(Q=0)	η Max.	P2(Q=0)	Max.	η Max.
US g.p.m	US g.p.m	US g.p.m	ft	ft	hp	hp	hp
35.2	154	107	78.8	58.2		2.15	2.12

Speed

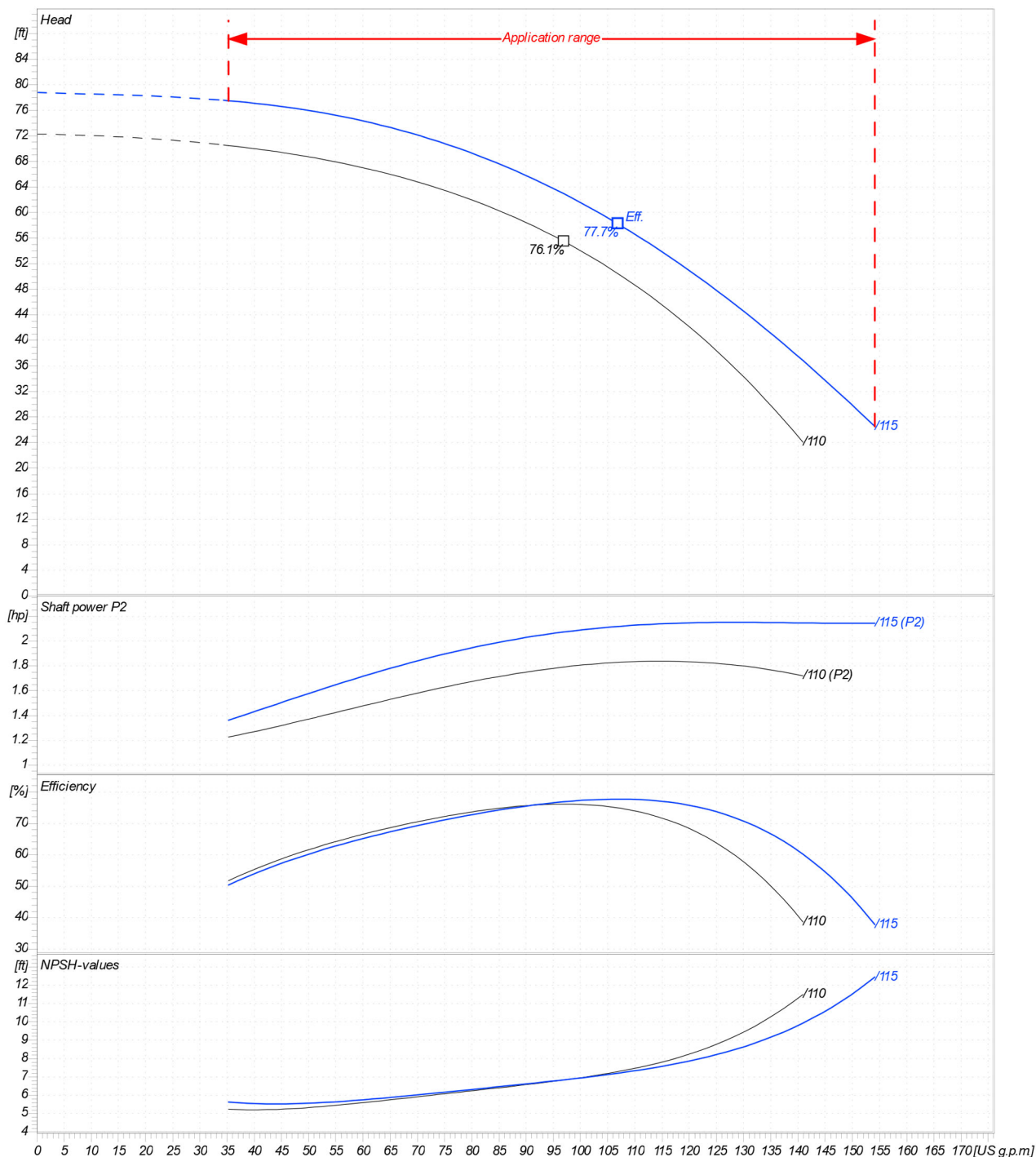
rpm 3550

Frequency

Hz 60 Hz

Performance data based to: Water, pure [100%]; 68°F; 62.3lb/ft³; 1.08E-5ft²/s

UNI EN ISO 9906:2012 - Grade 3B



Project

Project ID

Created by

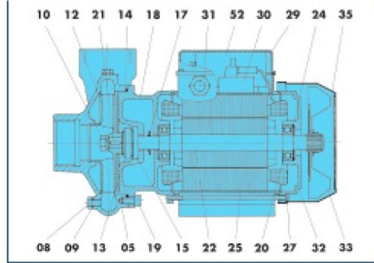
Created on

Last update

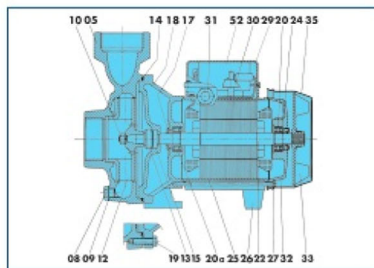
2020/07/07



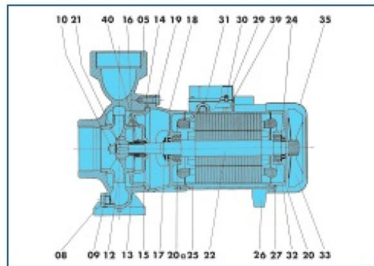
Company name
Respons. Department
Person in charge
Phone number
Fax no
E-mail address



6BP 3-4-5



6BP 8



6BP 7-8-9-10-11-12-13-14-15-16-17

RIF. REF. NUM.	COMPONENT	COMPONENTE	COMPONENTE
05	Pump body	Corpo pompa	Cuerpo de bomba
08	Plug	Tappo	Tapon
09	Gasket	Gusnizione	Empaquetadura
10	Nut	Dado	Tuerca
12	Impeller	Grante	Impulsor
13	Rotating mechanical seal	Parte rotante tenuta meccanica	Cierre mecanico parte girante
14	O-Ring	Anello OR	Anillo OR
15	Fixed mechanical seal	Parte fissa tenuta meccanica	Cierre mecanico parte fija
16	Seal holding disc	Disco porta tenuta	Anillo intermedio
17	Drop guard	Paragocce	Paragotas
18	Support	Supporto	Soporte
19	Screw	Vite	Tornillo
20	Bearing	Cuscinetto	Cojinete
20a	Bearing	Cuscinetto	Cojinete
21	Key	Linguetta	Chaveta
22	Rotating shaft	Albero rotante	Eje rotatorio
24	Circlip	Anello elastico	Anillo elastico
25	Casing with wound stator	Carcassa statore avvolto	Carcasa estator enuelto
26	Foot	Piede	Pie
27	Tie-rod	Tirante	Tirante
29	Terminal board cover	Coperchio morsetteria	Tapa de bornes
30	Terminal board	Morsetteria	Bornes
31	Fairlead	Pressacavo	Guia
32	Driving cap	Calotta motore	Tapa motor
33	Fan	Ventola	Ventilador
35	Fan cover	Copriventola	Tapa ventilador
39	Terminal board gasket	Gusnizione morsetteria	Empaquetadura bornes
40	Bushing	Bussola	Casquillo
52	Capacitor	Condensatore	Condensador

Project

Project ID

Created by

Created on
2020/07/07

Last update



GOL PUMPS TECHNOLOGY INC

3750 NW 114 AVE #6 MIAMI , FL 33178

Ph: +1 (786) 615 8984

Fax: +1 (786) 615 7043

Info@golpumps.com

www.golpumps.com