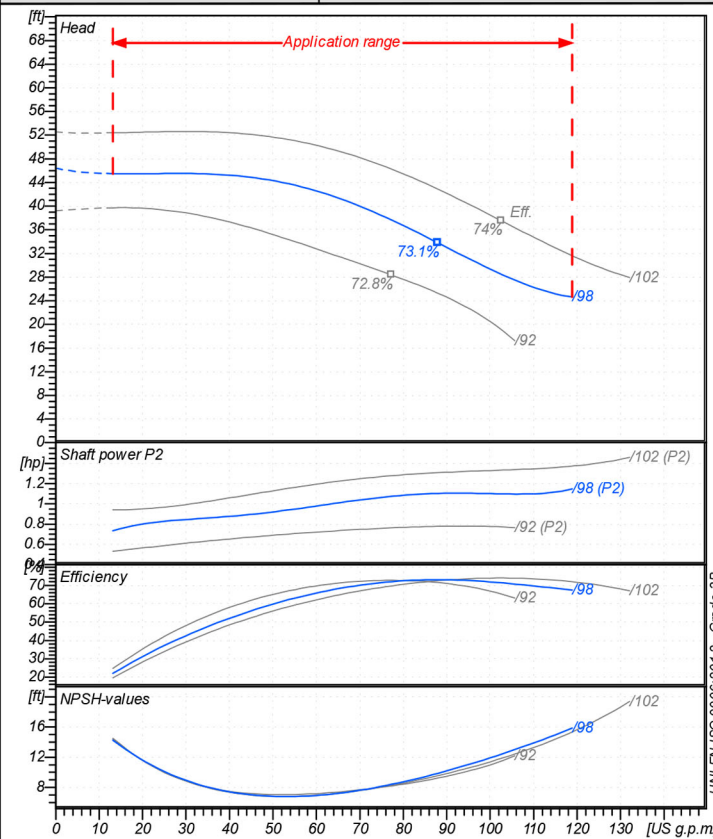




Receiver

From

 Company name
 Respons. Department
 Person in charge
 Phone number
 Fax no
 E-mail address

Operating data specification

Nominal flow	US g.p.m 0
Nominal head	ft 0
Static head	ft 0
NPSH - value of plant	ft 0
Inlet pressure	psi 1.42
Fluid	Water, pure
Operating temperature t A	°F 68
Density at t A	lb/ft ³ 62.32
Kin. viscosity at t A	ft ² /s 1.082E-5

Pump

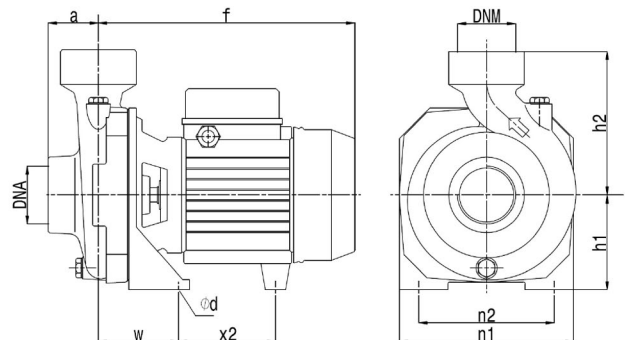
Pump name		6BP6/98	
Size			
Design			
Speed	rpm 3550	No of stages	1
Impeller type			
Flow	Nominal	US g.p.m	
	Max-	US g.p.m	119
	Min-	US g.p.m	13.2
Head	Nominal	ft	
	Max-	ft	45.5
	Min-	ft	24.6
Head H(Q=0)		ft	46.4
NPSH 3%		ft	
Max. working pressure		psi	20.1
Shaft power		hp	
Efficiency		%	
Max absorbed power		hp	1.1486

Materials Pump

Shaft	Stainless steel AISI 420 (1.4028)
Impeller	Carbon steel G20Mn5 (1.6620)
Pump body	Cast iron EN-GJL-200
Support	Cast iron EN-GJL-200
OR	NBR Rubber
Mechanical seal	BXPG (Gra/Cer/NBR)

Dimensions in inch

a	2 ¹ / ₁₆
d	3 ³ / ₈
f	10 ⁷ / ₁₆
h1	3 ¹³ / ₁₆
h2	5 ⁷ / ₈
n1	7 ¹ / ₁₆
n2	5 ¹ / ₂
w	3 ¹ / ₄



Motor	Frame size	71		
Manufacturer / Type	SAER 71-2P-1			
Rated power	hp 1.0058	Efficiency 4/4	77 %	
Electric current	A 2.2	Speed	rpm 3445	
Electric voltage	V 460 V	3~	Hz 60	
Starting mode	Unknown			
Degree of protection	IP 55	Insulation class	F	

Remarks:

Project	Project ID	Created by	Created on	Last update
			2020/07/07	



Receiver

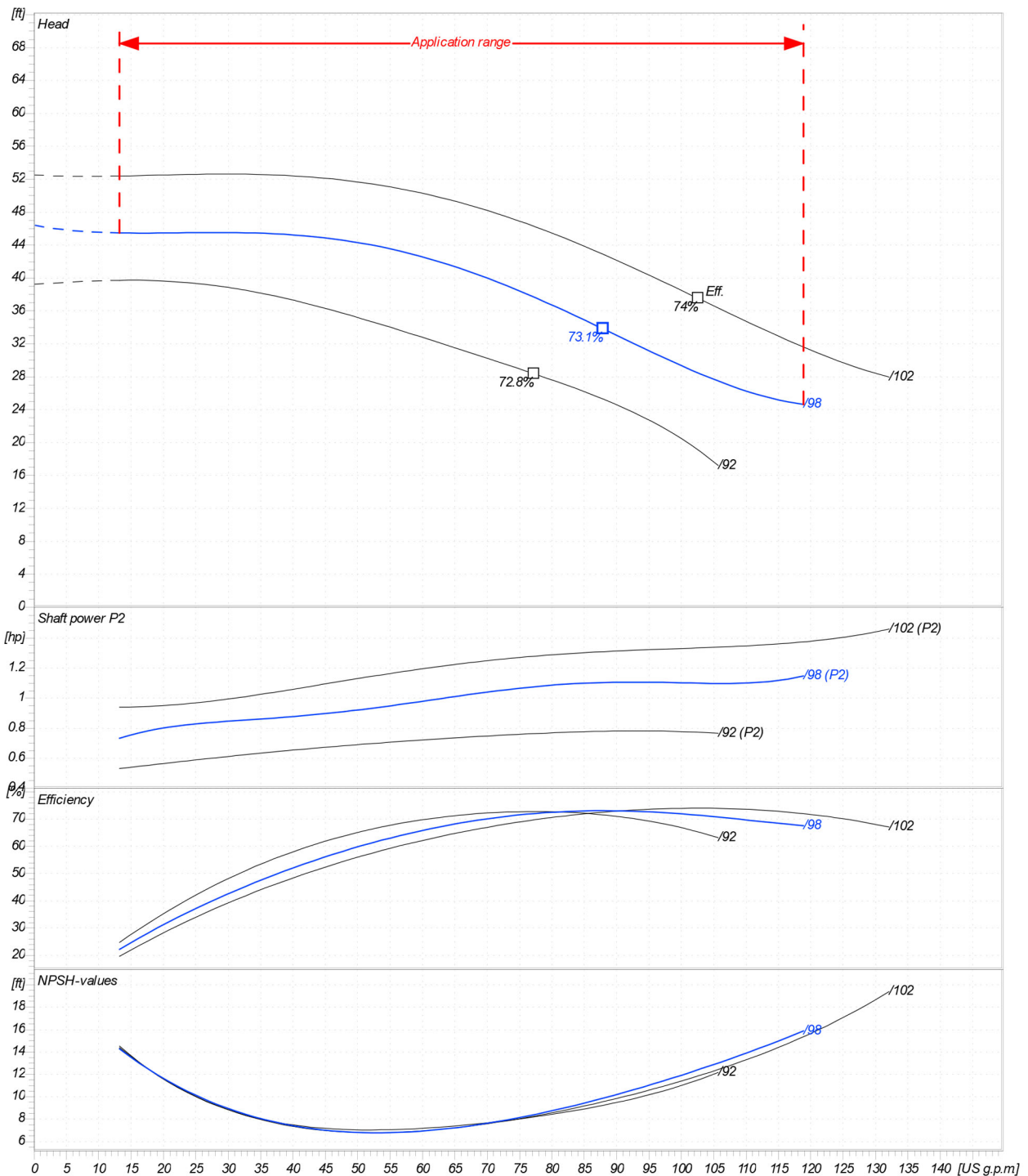
From

 Company name
 Respons. Department
 Person in charge
 Phone number
 Fax no
 E-mail address

Operating area	Flow	Head	Impeller type																																		
Operating data specification	0 US g.p.m	0 ft	Impeller construction																																		
Pump data	US g.p.m	ft	Sense of rotation Clockwise from the drive end																																		
			Outlet width G2"																																		
			Speed rpm 3550																																		
			Frequency Hz 60 Hz																																		
	<table border="1" style="width: 100%; border-collapse: collapse;"> <thead> <tr> <th colspan="2">Flow</th> <th colspan="2">Head</th> <th colspan="3">Shaft power P2</th> </tr> <tr> <th>Min.</th> <th>Max.</th> <th>η Max.</th> <th>H(Q=0)</th> <th>η Max.</th> <th>P2(Q=0)</th> <th>Max.</th> </tr> <tr> <th>US g.p.m</th> <th>US g.p.m</th> <th>US g.p.m</th> <th>ft</th> <th>ft</th> <th>hp</th> <th>hp</th> </tr> </thead> <tbody> <tr> <td>13.2</td> <td>119</td> <td>87.9</td> <td>46.4</td> <td>33.8</td> <td></td> <td>1.15</td> </tr> <tr> <td></td> <td></td> <td></td> <td></td> <td></td> <td></td> <td>1.1</td> </tr> </tbody> </table>	Flow		Head		Shaft power P2			Min.	Max.	η Max.	H(Q=0)	η Max.	P2(Q=0)	Max.	US g.p.m	US g.p.m	US g.p.m	ft	ft	hp	hp	13.2	119	87.9	46.4	33.8		1.15							1.1	
Flow		Head		Shaft power P2																																	
Min.	Max.	η Max.	H(Q=0)	η Max.	P2(Q=0)	Max.																															
US g.p.m	US g.p.m	US g.p.m	ft	ft	hp	hp																															
13.2	119	87.9	46.4	33.8		1.15																															
						1.1																															

Performance data based to: Water, pure [100%]; 68°F; 62.3lb/ft³; 1.08E-5ft²/s

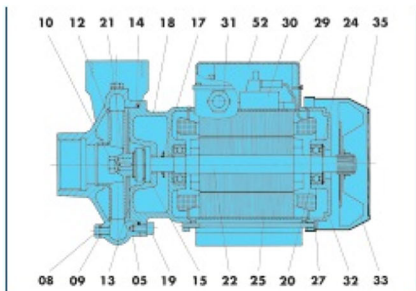
UNI EN ISO 9906:2012 - Grade 3B



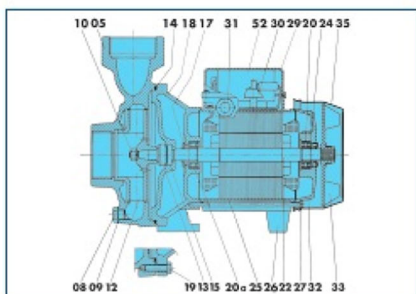
Project	Project ID	Created by	Created on 2020/07/07	Last update
---------	------------	------------	---------------------------------	-------------



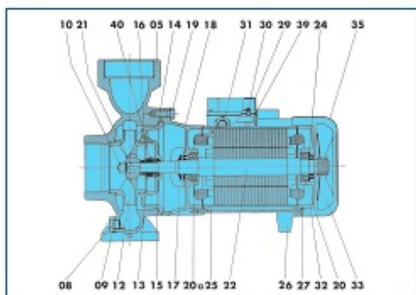
Company name
Respons. Department
Person in charge
Phone number
Fax no
E-mail address



6BP 3-4-5



6BP 6



6BP 7-8-9-10-11-12-13-14-15-16-17

REF. REF. NUM.	COMPONENT	COMPONENTE	COMPONENTE
05	Pump body	Corpo pompa	Cuerpo de bomba
08	Plug	Tappo	Tapon
09	Gasket	Guarnizione	Empaquetadura
10	Nut	Dado	Tuerca
12	Impeller	Girante	Impulsor
13	Rotating mechanical seal	Parte rotante tenuta meccanica	Cierre mecanico parte girante
14	O-Ring	Anello OR	Anillo OR
15	Fixed mechanical seal	Parte fissa tenuta meccanica	Cierre mecanico parte fija
16	Seal holding disc	Disco porta tenuta	Anillo intermedio
17	Drop guard	Paragocia	Paragotas
18	Support	Supporto	Soporte
19	Screw	Vite	Tornillo
20	Bearing	Cuscinetto	Cojinete
20a	Bearing	Cuscinetto	Cojinete
21	Key	Linguetta	Chaveta
22	Rotating shaft	Albero rotante	Eje rotatorio
24	Circclip	Anello elastico	Anillo elastico
25	Casing with wound stator	Carcassa statore avvolto	Carcasa estator enroscado
26	Foot	Pieda	Pie
27	Tie-rod	Tirante	Tirante
29	Terminal board cover	Coperchio morsettiere	Tapa de bornes
30	Terminal board	Morsettiere	Bornes
31	Fairlead	Pressacavo	Guia
32	Driving cap	Calotta motore	Tapa motor
33	Fan	Ventola	Ventilador
35	Fan cover	Copri ventola	Tapa ventilador
39	Terminal board gasket	Guarnizione morsettiere	Empaquetadura bornes
40	Bushing	Bussola	Casquillo
52	Capacitor	Condensatore	Condensador

Project

Project ID

Created by

Created on
2020/07/07

Last update



GOL PUMPS TECHNOLOGY INC

3750 NW 114 AVE #6 MIAMI, FL 33178

Ph: +1 (786) 615 8984

Fax: +1 (786) 615 7043

Info@golpumps.com

www.golpumps.com