





Receiver

From

Company name  
Respons. Department  
Person in charge  
Phone number  
Fax no  
E-mail address

Operating area

Flow

Head

Impeller type

Operating data specification

0 US g.p.m

0 ft

Impeller construction

Sense of rotation

Clockwise from the drive end

Pump data

US g.p.m

ft

Outlet width

G2"

| Flow     |          | Head        |        | Shaft power P2 |         |      |
|----------|----------|-------------|--------|----------------|---------|------|
| Min.     | Max.     | $\eta$ Max. | H(Q=0) | $\eta$ Max.    | P2(Q=0) | Max. |
| US g.p.m | US g.p.m | US g.p.m    | ft     | ft             | hp      | hp   |
| 110      | 374      | 276         | 289    | 248            |         | 28.4 |

Speed

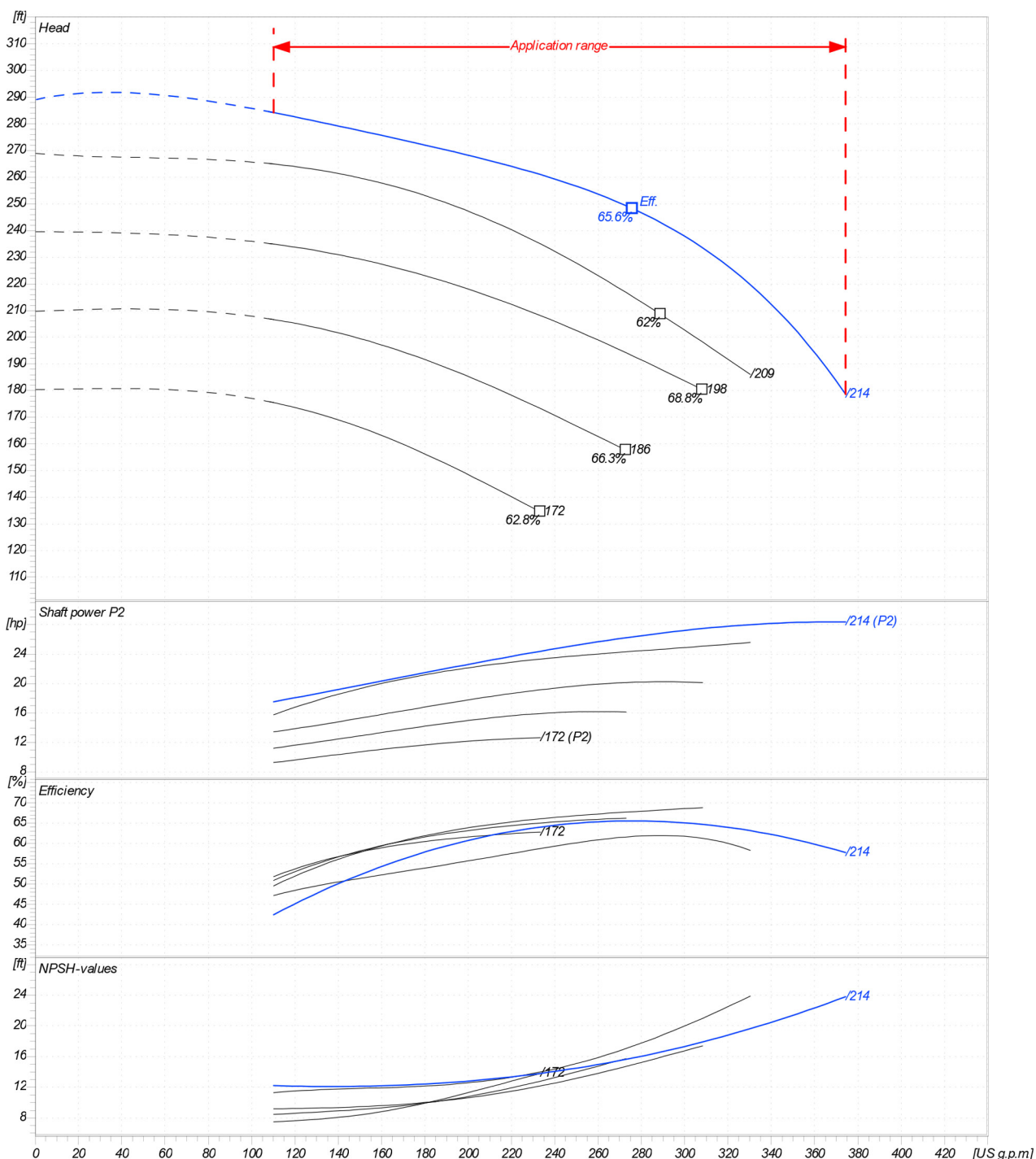
rpm 3550

Frequency

Hz 60 Hz

Performance data based to: Water, pure [100%]; 68°F; 62.3lb/ft<sup>3</sup>; 1.08E-5ft<sup>2</sup>/s

UNI EN ISO 9906:2012 - Grade 3B



Project

Project ID

Created by

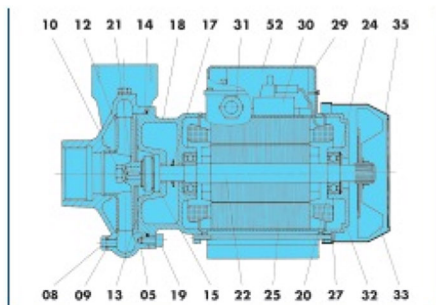
Created on

2020/07/07

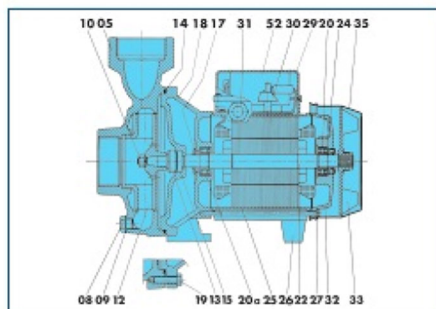
Last update



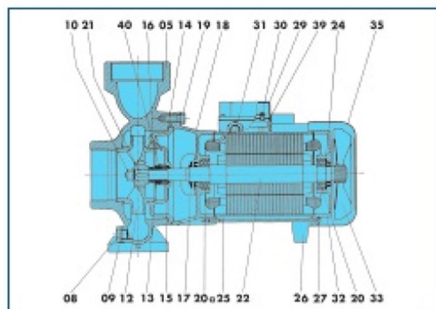
Company name  
Respons. Department  
Person in charge  
Phone number  
Fax no  
E-mail address



6BP 3-4-5



6BP 6



6BP 7-8-9-10-11-12-13-14-15-16-17

| REF. REF. NUM. | COMPONENT                | COMPONENTE                     | COMPONENTE                    |
|----------------|--------------------------|--------------------------------|-------------------------------|
| 05             | Pump body                | Corpo pompa                    | Cuerpo de bomba               |
| 08             | Plug                     | Tappo                          | Tapon                         |
| 09             | Gasket                   | Guarnizione                    | Empaquetadura                 |
| 10             | Nut                      | Dado                           | Tuerca                        |
| 12             | Impeller                 | Girante                        | Impulsor                      |
| 13             | Rotating mechanical seal | Parte rotante tenuta meccanica | Cierre mecanico parte girante |
| 14             | O-Ring                   | Anello OR                      | Anillo OR                     |
| 15             | Fixed mechanical seal    | Parte fissa tenuta meccanica   | Cierre mecanico parte fija    |
| 16             | Seal holding disc        | Disco porta tenuta             | Anillo intermedio             |
| 17             | Drop guard               | Paragocce                      | Paragotas                     |
| 18             | Support                  | Supporto                       | Soporte                       |
| 19             | Screw                    | Vite                           | Tomillo                       |
| 20             | Bearing                  | Cuscinetto                     | Cojinete                      |
| 20a            | Bearing                  | Cuscinetto                     | Cojinete                      |
| 21             | Key                      | Linguetta                      | Chaveta                       |
| 22             | Rotating shaft           | Albero rotante                 | Eje rotatorio                 |
| 24             | Circlip                  | Anello elastico                | Anillo elastico               |
| 25             | Casing with wound stator | Carcasa statore avvolto        | Carcasa estator anuelto       |
| 26             | Foot                     | Piede                          | Pie                           |
| 27             | Tie-rod                  | Tirante                        | Tirante                       |
| 29             | Terminal board cover     | Coperchio morsettiere          | Tapa de bornes                |
| 30             | Terminal board           | Morsettiere                    | Bornes                        |
| 31             | Fairlead                 | Pressacavo                     | Guia                          |
| 32             | Driving cap              | Calotta motore                 | Tapa motor                    |
| 33             | Fan                      | Ventola                        | Ventilador                    |
| 35             | Fan cover                | Copriventola                   | Tapa ventilador               |
| 39             | Terminal board gasket    | Guarnizione morsettiere        | Empaquetadura bornes          |
| 40             | Bushing                  | Bussola                        | Casquillo                     |
| 52             | Capacitor                | Condensatore                   | Condensador                   |

Project

Project ID

Created by

Created on

2020/07/07

Last update


**GOL PUMPS TECHNOLOGY INC**

3750 NW 114 AVE #6 MIAMI, FL 33178

Ph: +1 (786) 615 8984

Fax: +1 (786) 615 7043

Info@golpumps.com

www.golpumps.com