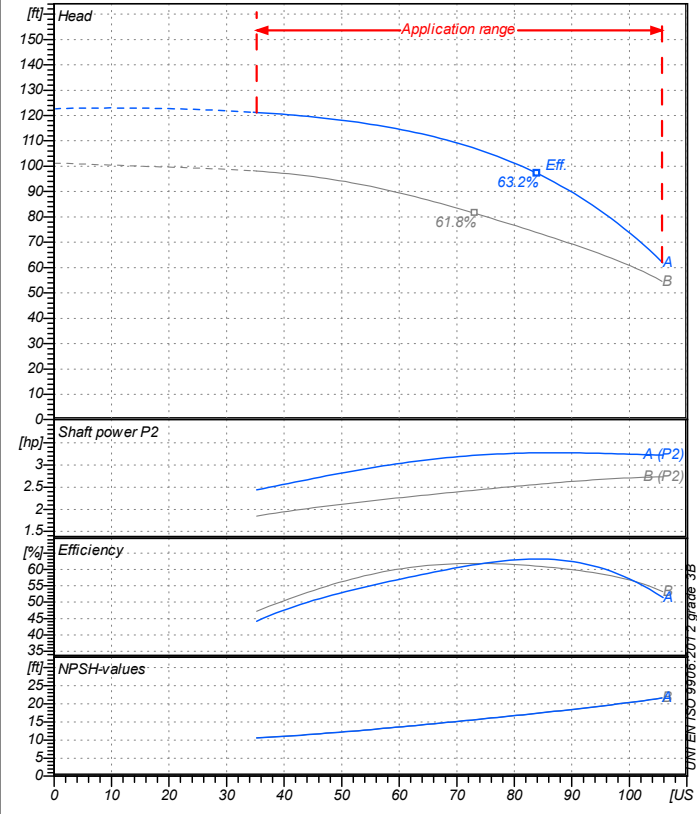


Company name
 Respons. Department
 Person in charge
 Phone number
 Fax no
 E-mail address

Receiver	From



Operating data specification

Nominal flow	US g.p.m 0
Nominal head	ft 0
Static head	ft 0
NPSH - value of plant	ft 0
Inlet pressure	psi 1.42
Fluid	Water, pure
Operating temperature t A	°F 68
Density at t A	lb/ft³ 62.32
Kin. viscosity at t A	ft²/s 1.082E-5

Pump		
Pump name	6IR32-125A	
Size	50/32/125	
Design		
Speed rpm	3600	
No of stages	1	
Impeller type		
Flow	Nominal	US g.p.m
	Max-	US g.p.m 106
	Min-	US g.p.m 35.2
Head	Nominal	ft
	Max-	ft 121
	Min-	ft 61.9
Head H(Q=0)	ft 123	
NPSH 3%	ft	
Max. working pressure	psi 53.1	
Shaft power	hp	
Efficiency	%	
Max absorbed power	hp 3.2775	

Materials Pump

Shaft	Stainless steel AISI 431 (1.4057)		
Impeller	Cast iron EN-GJL-250		
Pump body	Cast iron EN-GJL-250		
Seal disc	Cast iron EN-GJL-250		
Gasket	Natural fiber		
Mechanical seal	BVEG (Grafite/Ossido Allumina/EPDM)		

Motor	Frame size	90 L		
Manufacturer / Type	SAER	MEC90L-2P-3		
Rated power	hp	4.0231	Efficiency 4/4	83 %
Electric current	A	10 A	Speed rpm	3600
Electric voltage	V	230V	3~	Hz 60
Starting mode	Unknown			
Degree of protection	IP 55	Insulation class	F	

Dimensions in inch

a	3 1/8	h1	4 7/16
b	1 5/16	h2	5 1/2
DNA	1 5/16	m1	3 3/16
DNM	1 1/4	m2	2 3/4
f	14 9/16	n1	7 1/2
n1	7 1/2	n2	5 1/2
n2	5 1/2	s	9/16
s	9/16	w	10 3/4
w	10 3/4		

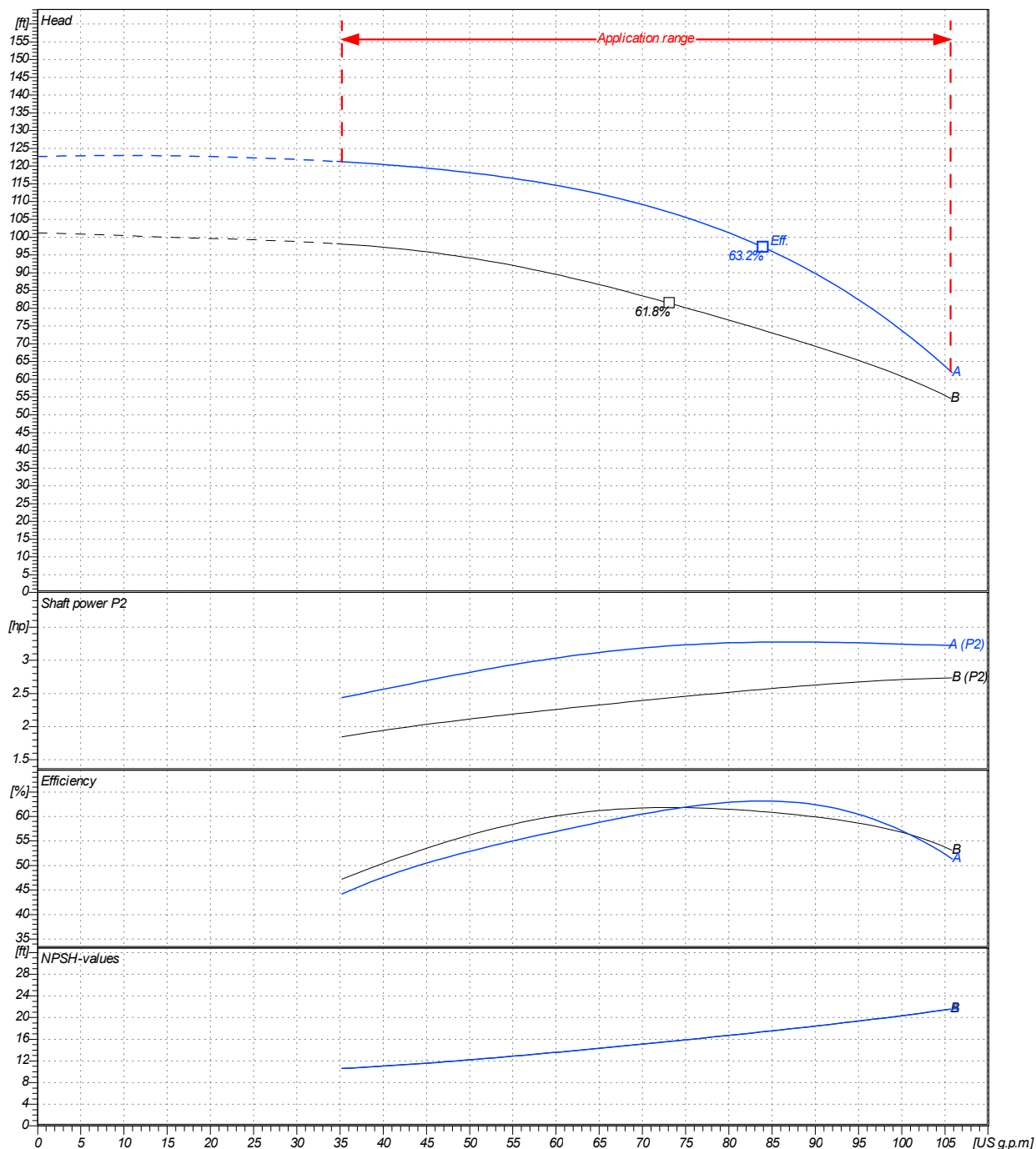
Remarks:	
Project	Project ID
Created by	Created on
	2020-07-16
	Last update

Receiver	From
Company name	
Respons. Department	
Person in charge	
Phone number	
Fax no	
E-mail address	

Operating area	Flow	Head	Impeller type
Operating data specification	0 US g.p.m	0 ft	Impeller construction: Closed
Pump data	US g.p.m	ft	Sense of rotation: Clockwise from the drive end
			Outlet width: DN 32
	Flow	Head	Shaft power P2
	Min. Max. η Max.	H(Q=0) η Max.	P2(Q=0) Max. η Max.
	US g.p.m US g.p.m US g.p.m	ft ft	hp hp hp
	35.2 106 84	123 97.1	3.28 3.27
			Speed rpm: 3600
			Frequency Hz: 60 Hz

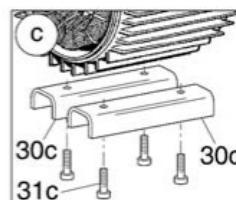
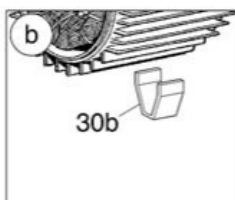
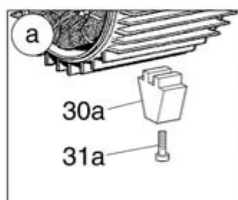
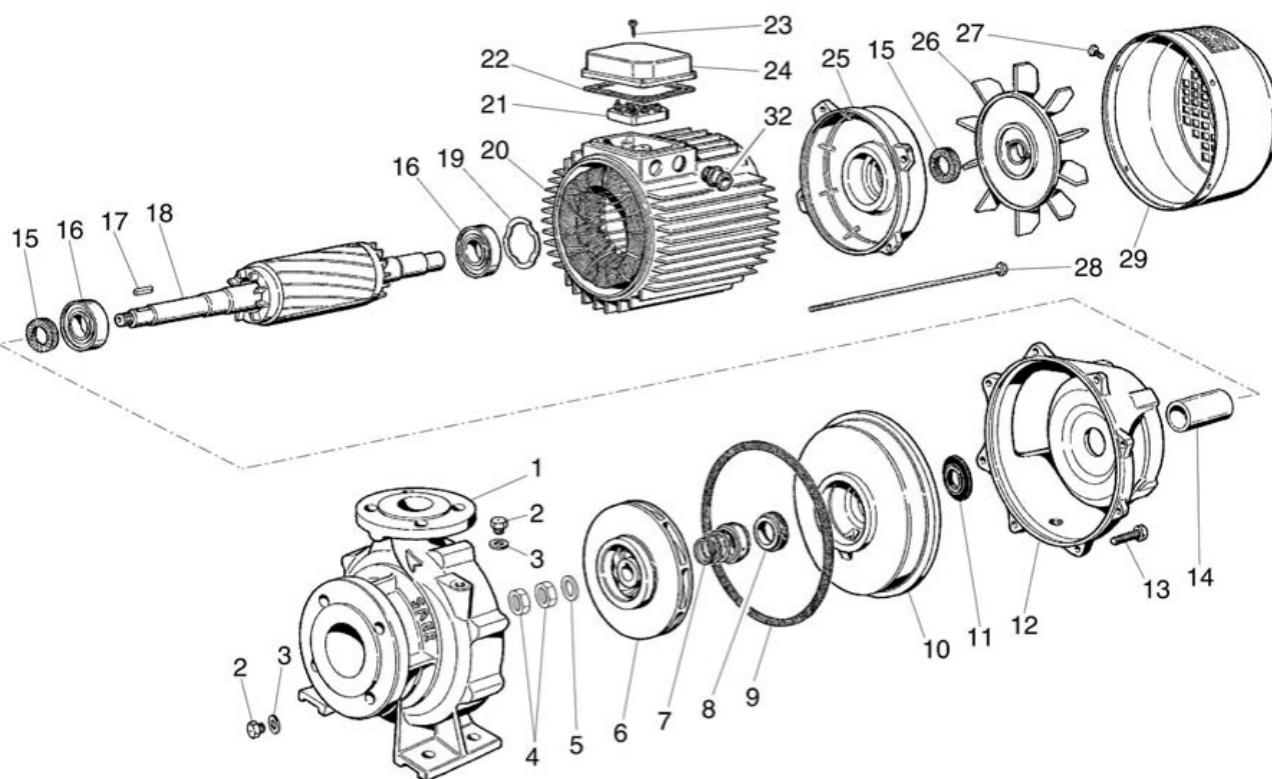
Performance data based to: Water, pure [100%]; 68°F; 62.3lb/ft³; 1.08E-5ft²/s

UNI EN ISO 9906:2012 - Grade 3B



Project	Project ID	Created by	Created on	Last update
			2020-07-16	

Company name
Respons. Department
Person in charge
Phone number
Fax no
E-mail address



Project

Project ID

Created by

Created on
2020-07-16

Last update