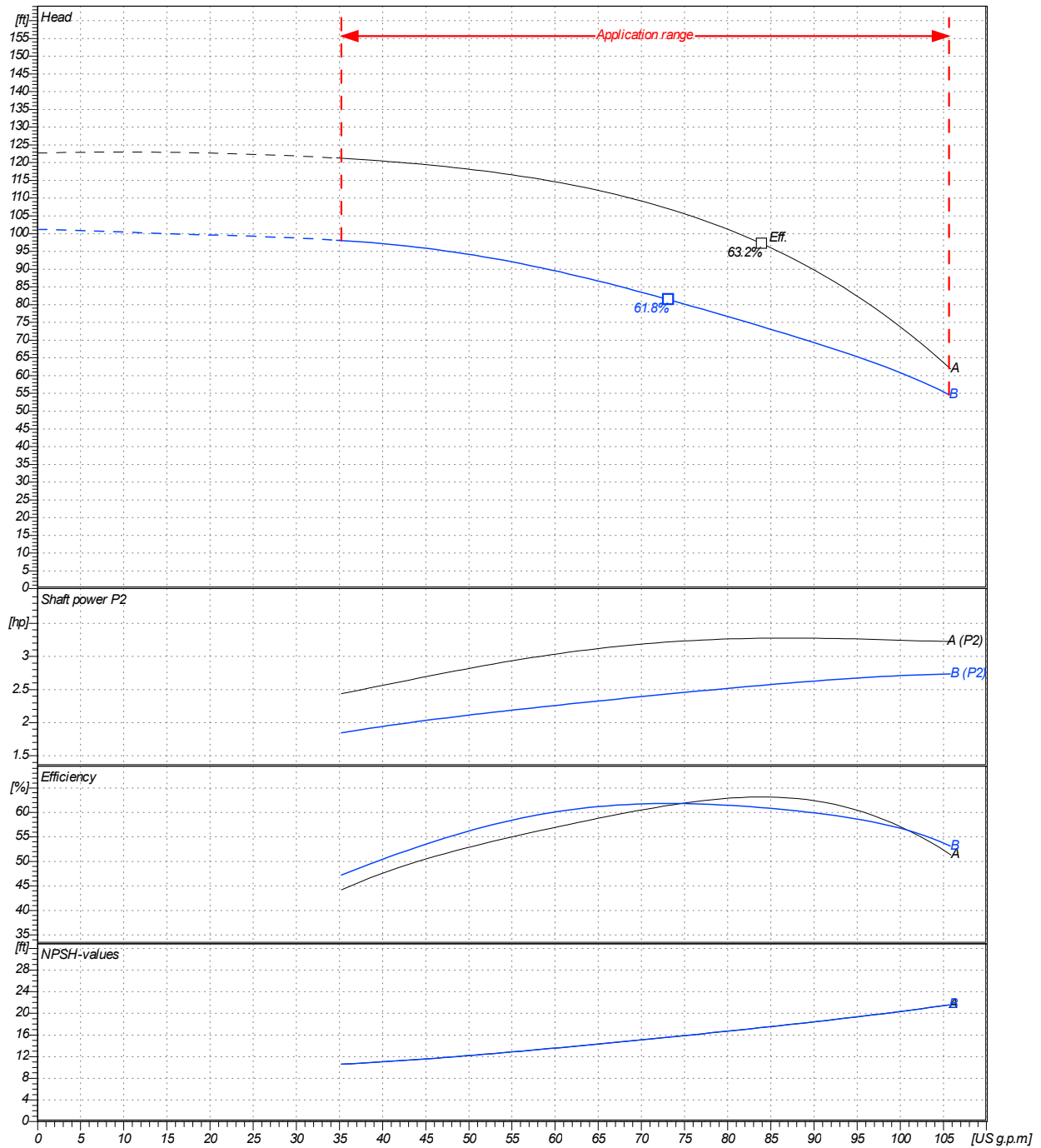




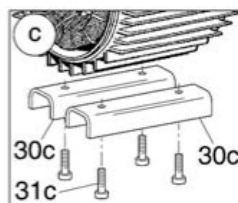
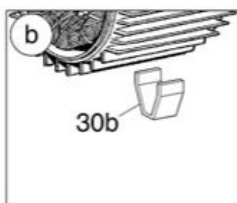
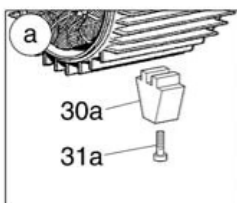
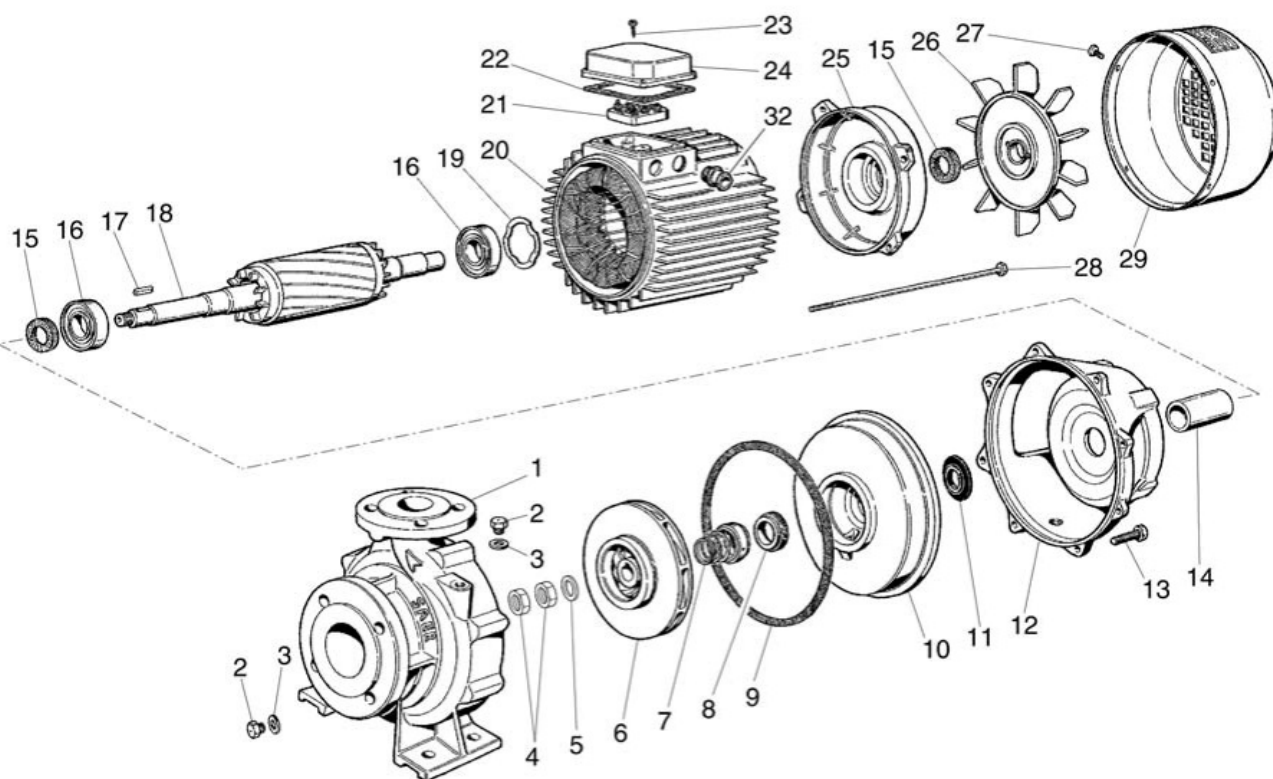
Company name  
 Respons. Department  
 Person in charge  
 Phone number  
 Fax no  
 E-mail address


Operating area	Flow	Head	Impeller type
Operating data specification	0 US g.p.m	0 ft	Impeller construction Closed
Pump data	US g.p.m	ft	Sense of rotation Clockwise from the drive end
			Outlet width DN 32
	Flow	Head	Shaft power P2
	Min. Max. $\eta$ Max.	H(Q=0) $\eta$ Max.	P2(Q=0) Max. $\eta$ Max.
	US g.p.m US g.p.m US g.p.m	ft ft	hp hp hp
	35.2 106 73.2	101 81.4	2.74 2.43
			Speed rpm 3600
			Frequency Hz 60 Hz

Performance data based to: Water, pure [100%]; 68°F; 62.3lb/ft<sup>3</sup>; 1.08E-5ft<sup>2</sup>/s UNI EN ISO 9906:2012 - Grade 3B



Company name  
Respons. Department  
Person in charge  
Phone number  
Fax no  
E-mail address



Project

Project ID

Created by

Created on  
**2020-07-16**

Last update