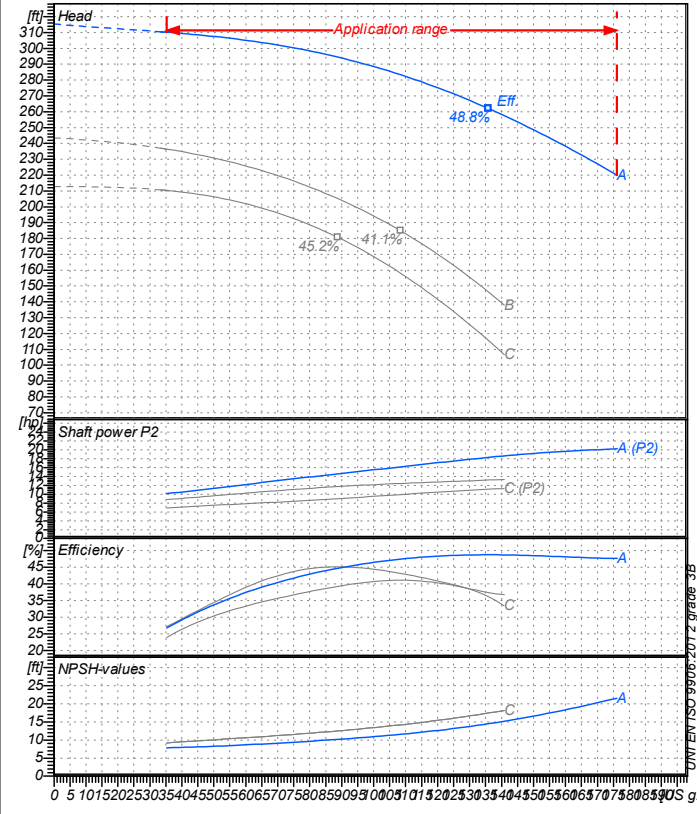


Company name  
Respons. Department  
Person in charge  
Phone number  
Fax no  
E-mail address

Receiver	From



**Operating data specification**

Nominal flow	US g.p.m	0
Nominal head	ft	0
Static head	ft	0
NPSH - value of plant	ft	0
Inlet pressure	psi	1.42
Fluid	Water, pure	
Operating temperature t A	°F	68
Density at t A	lb/ft³	62.32
Kin. viscosity at t A	ft²/s	1.082E-5

<b>Pump</b>		
Pump name	6IR32-200NA	
Size	50/32/200	
Design		
Speed rpm	3600	
No of stages	1	
Impeller type		
Flow	Nominal	US g.p.m
	Max-	US g.p.m 176
	Min-	US g.p.m 35.2
Head	Nominal	ft
	Max-	ft 310
	Min-	ft 220
Head H(Q=0)	ft	315
NPSH 3%	ft	
Max. working pressure	psi	137
Shaft power	hp	
Efficiency	%	
Max absorbed power	hp	20.28

<b>Materials Pump</b>			
Shaft	Stainless steel AISI 431 (1.4057)		
Impeller	Cast iron EN-GJL-250		
Pump body	Cast iron EN-GJL-250		
Seal disc	Cast iron EN-GJL-250		
Gasket	Natural fiber		
Mechanical seal	BVEG (Grafite/Ossido Allumina/EPDM)		
<b>Motor</b>	Frame size	132 M	
Manufacturer / Type	SAER	MEC132M-2P-15	
Rated power	hp	20.115	Efficiency 4/4 88 %
Electric current	A	25 A	Speed rpm 3600
Electric voltage	V	460V	3~ Hz 60
Starting mode	Unknown		
Degree of protection	IP 55	Insulation class	F

**Dimensions in inch**

?n	3/4	?n	3/4
C	3/16	C	4
D	5/2	D	6/2
DN	1/4	DN	1 15/16
K	3 15/16	K	4 15/16
n°	3/16	n°	3/16

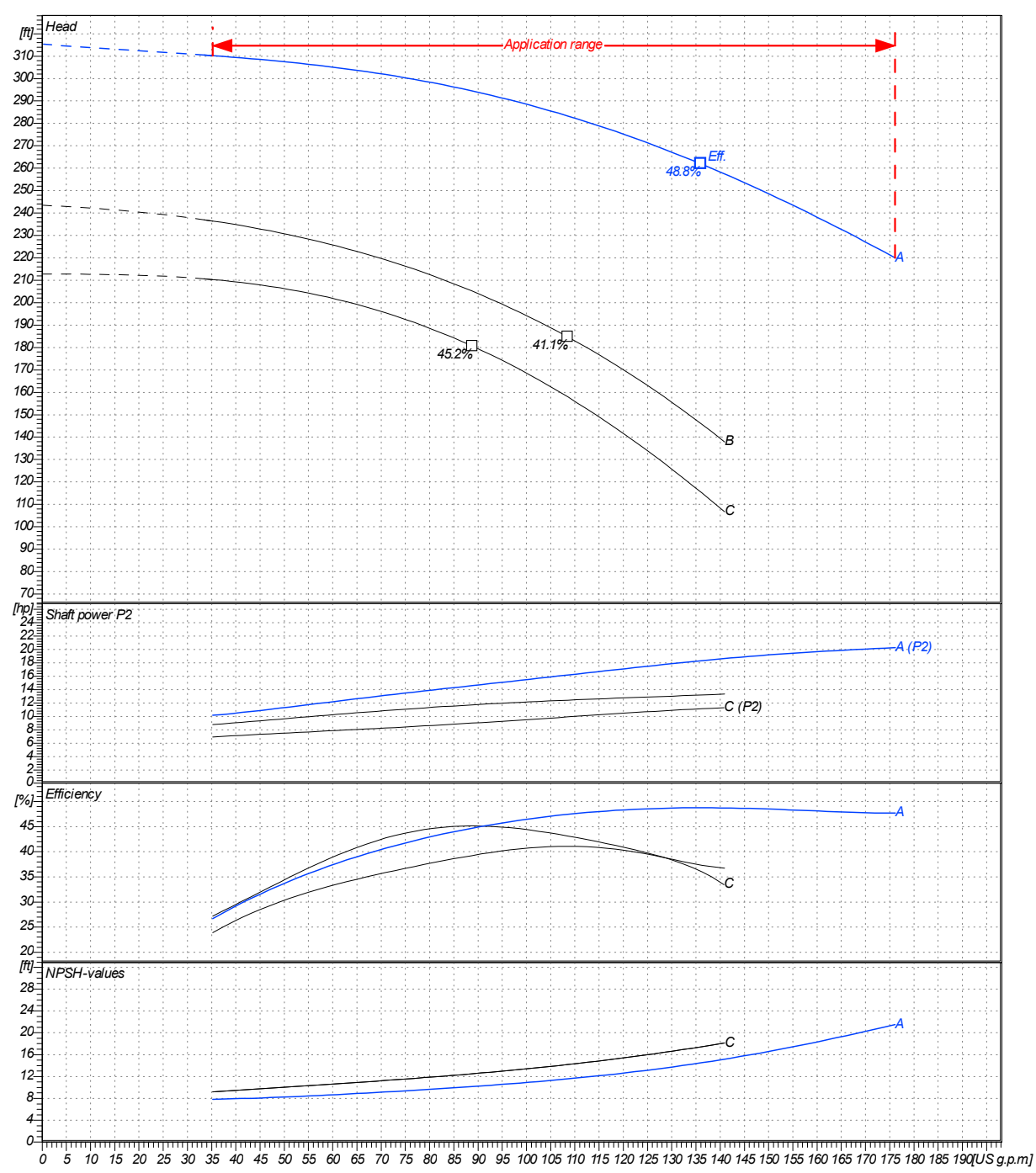
Project	Project ID	Created by	Created on	Last update
			2020/07/16	

Company name  
 Respons. Department  
 Person in charge  
 Phone number  
 Fax no  
 E-mail address

Receiver	From

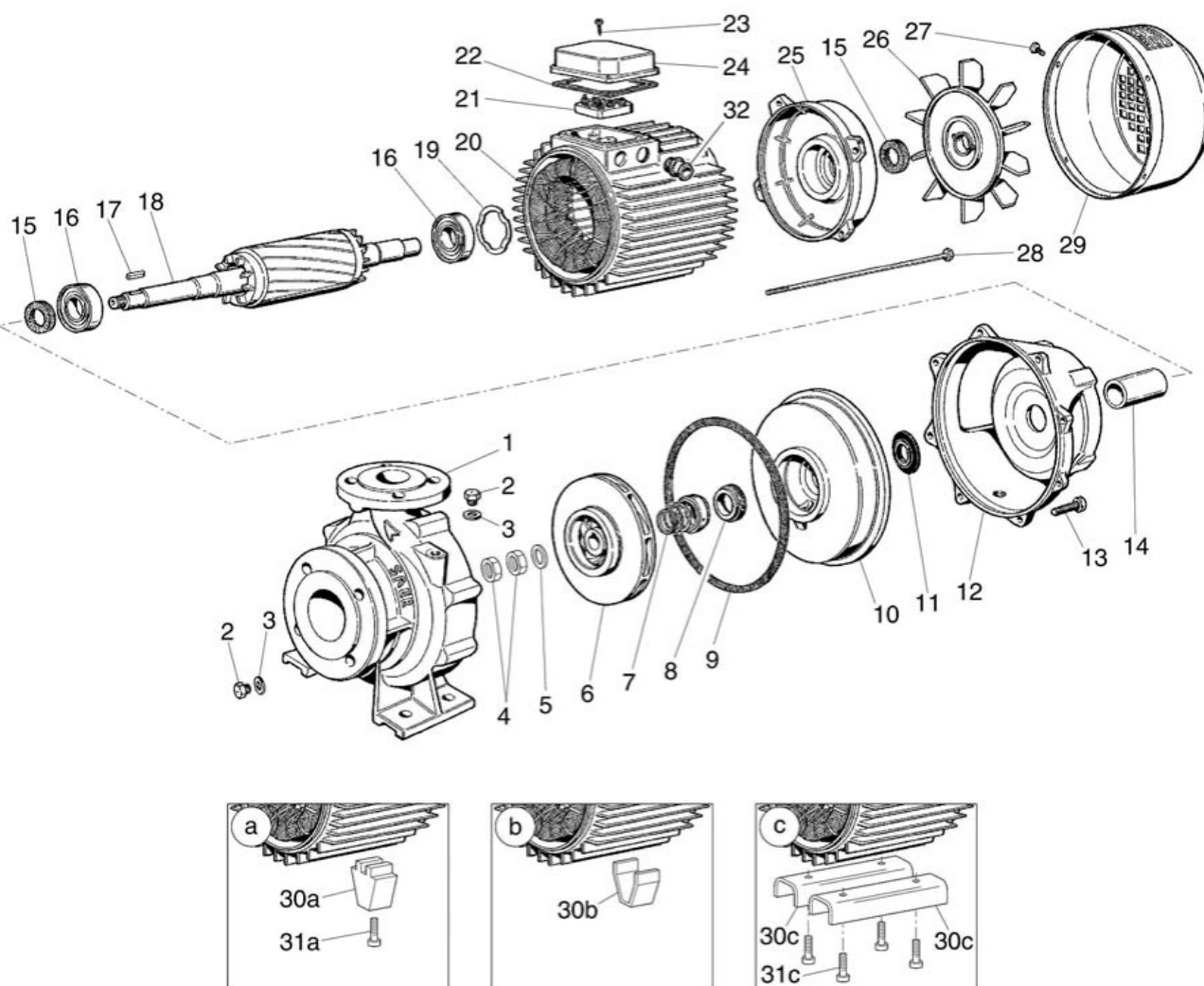
Operating area	Flow	Head	Impeller type
Operating data specification	0 US g.p.m	0 ft	Impeller construction: Closed
Pump data	US g.p.m	ft	Sense of rotation: Clockwise from the drive end
			Outlet width: DN 32
	Flow	Head	Shaft power P2
	Min. Max. $\eta$ Max.	H(Q=0) $\eta$ Max.	P2(Q=0) Max. $\eta$ Max.
	US g.p.m US g.p.m US g.p.m	ft ft	hp hp hp
	35.2 176 136	315 262	20.3 18.3
			Speed rpm: 3600
			Frequency Hz: 60 Hz

Performance data based to: Water, pure [100%]; 68°F; 62.3lb/ft<sup>3</sup>; 1.08E-5ft<sup>2</sup>/s UNI EN ISO 9906:2012 - Grade 3B



Project	Project ID	Created by	Created on	Last update
			2020/07/16	

Company name  
Respons. Department  
Person in charge  
Phone number  
Fax no  
E-mail address



Project

Project ID

Created by

Created on  
2020/07/16

Last update