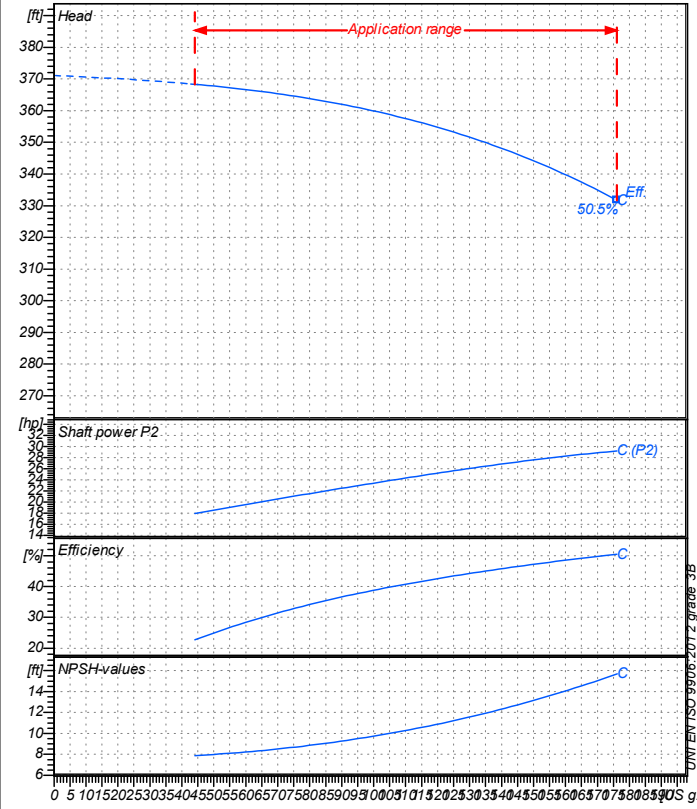


Receiver

From

Company name
Respons. Department
Person in charge
Phone number
Fax no
E-mail address



Operating data specification

Nominal flow	US g.p.m	0
Nominal head	ft	0
Static head	ft	0
NPSH - value of plant	ft	0
Inlet pressure	psi	1.42
Fluid	Water, pure	
Operating temperature t A	°F	68
Density at t A	lb/ft³	62.32
Kin. viscosity at t A	ft²/s	1.082E-5

Pump		
Pump name	6IR32-250C	
Size	50/32/250	
Design		
Speed rpm	3600	
No of stages	1	
Impeller type		
Flow	Nominal	US g.p.m
	Max-	US g.p.m 176
	Min-	US g.p.m 44
Head	Nominal	ft
	Max-	ft 368
	Min-	ft 332
Head H(Q=0)	ft	371
NPSH 3%	ft	
Max. working pressure	psi	161
Shaft power	hp	
Efficiency	%	
Max absorbed power	hp	29.203

Materials Pump

Shaft	Stainless steel AISI 431 (1.4057)
Impeller	Cast iron EN-GJL-250
Pump body	Cast iron EN-GJL-250
Seal disc	Cast iron EN-GJL-250
Gasket	Natural fiber
Mechanical seal	BVEG (Grafite/Ossido Allumina/EPDM)

Dimensions in inch

a	3 ¹⁵ / ₁₆	?n	3/4
b	2 ⁹ / ₁₆	C	4
DNA	1 ¹⁵ / ₁₆	D	6 ¹ / ₂
DNM	1 ¹ / ₄	DN	1 ¹⁵ / ₁₆
f	25 ⁹ / ₁₆	K	4 ¹⁵ / ₁₆
h1	7 ¹ / ₁₆	n°	3/16
h2	8 ⁷ / ₈		
m1	4 ¹⁵ / ₁₆		
m2	3 ³ / ₄		
n1	12 ⁵ / ₈		
n2	9 ¹³ / ₁₆		
s	9/16		
w	5 ³ / ₈		

Motor	Frame size	160 L	
Manufacturer / Type	SAER	MEC160L-2P-22	
Rated power	hp	29.502	
Efficiency	4/4	86 %	
Electric current	A	36 A	
Speed	rpm	3600	
Electric voltage	V	460V	
3~	Hz	60	
Starting mode	Unknown		
Degree of protection	IP 55	Insulation class	F

Remarks:

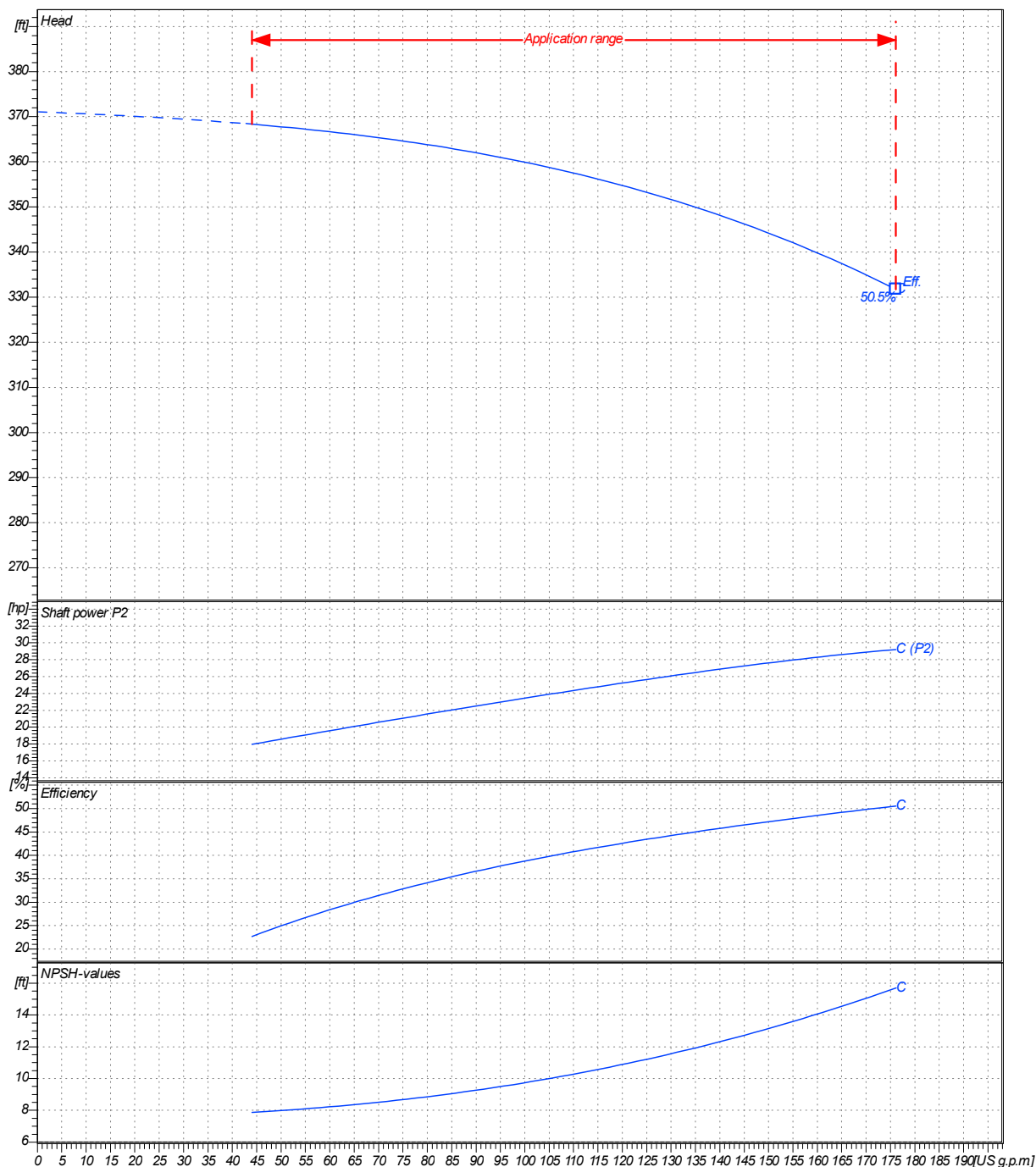
Project	Project ID	Created by	Created on	Last update
			2020/07/16	

Receiver	From
Company name	
Respons. Department	
Person in charge	
Phone number	
Fax no	
E-mail address	

Operating area	Flow	Head	Impeller type
Operating data specification	0 US g.p.m	0 ft	Impeller construction Closed
Pump data	US g.p.m	ft	Sense of rotation Clockwise from the drive end
			Outlet width DN 32
	Flow		Speed rpm 3600
	Min. Max. η Max.	Head H(Q=0) η Max.	Frequency Hz 60 Hz
	US g.p.m US g.p.m US g.p.m	ft ft	
	44 176 176	371 332	
	Shaft power P2		
	P2(Q=0) Max. η Max.		
	hp hp hp		
	29.2 29.2		

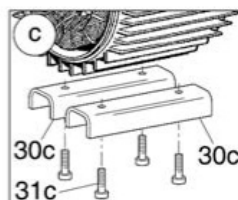
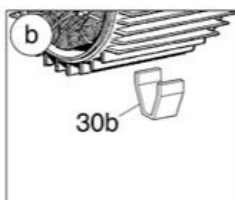
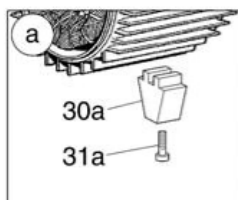
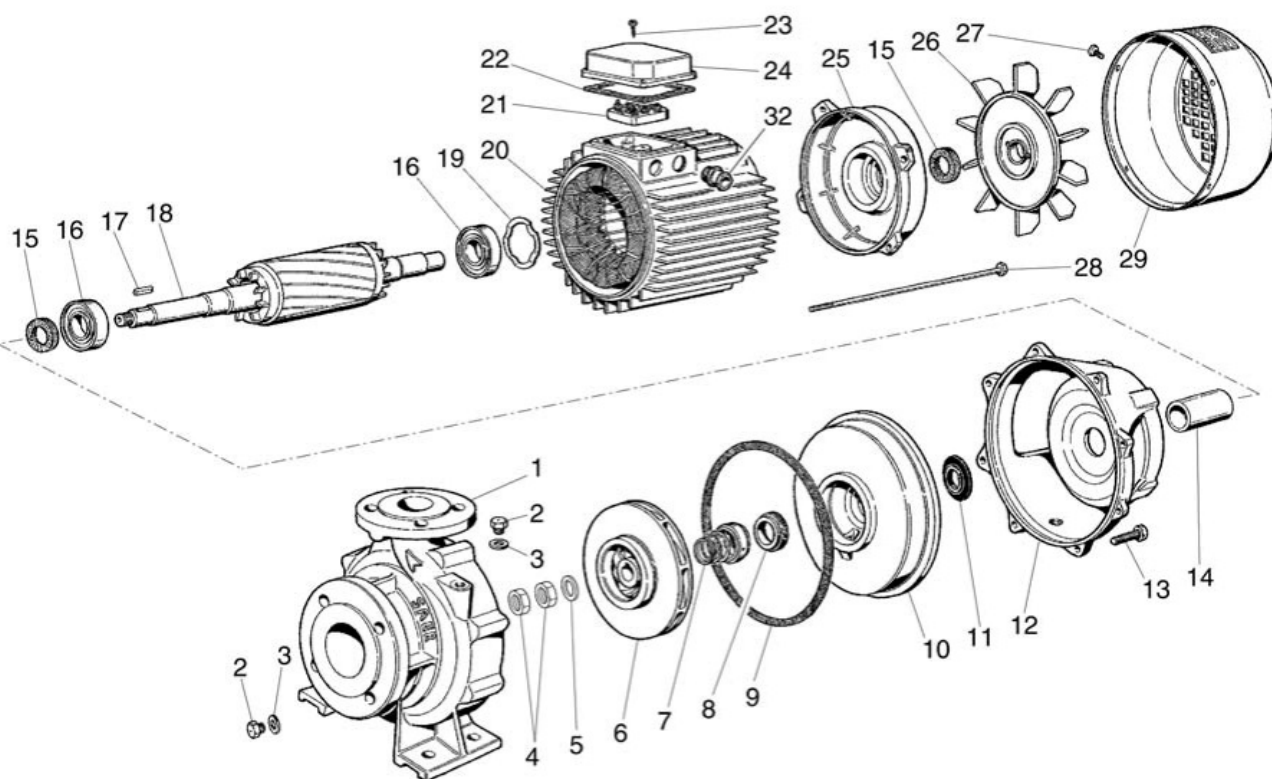
Performance data based to: Water, pure [100%]; 68°F; 62.3lb/ft³; 1.08E-5ft²/s

UNI EN ISO 9906:2012 - Grade 3B



Project	Project ID	Created by	Created on 2020/07/16	Last update
---------	------------	------------	---------------------------------	-------------

Company name
Respons. Department
Person in charge
Phone number
Fax no
E-mail address



Project

Project ID

Created by

Created on
2020/07/16

Last update