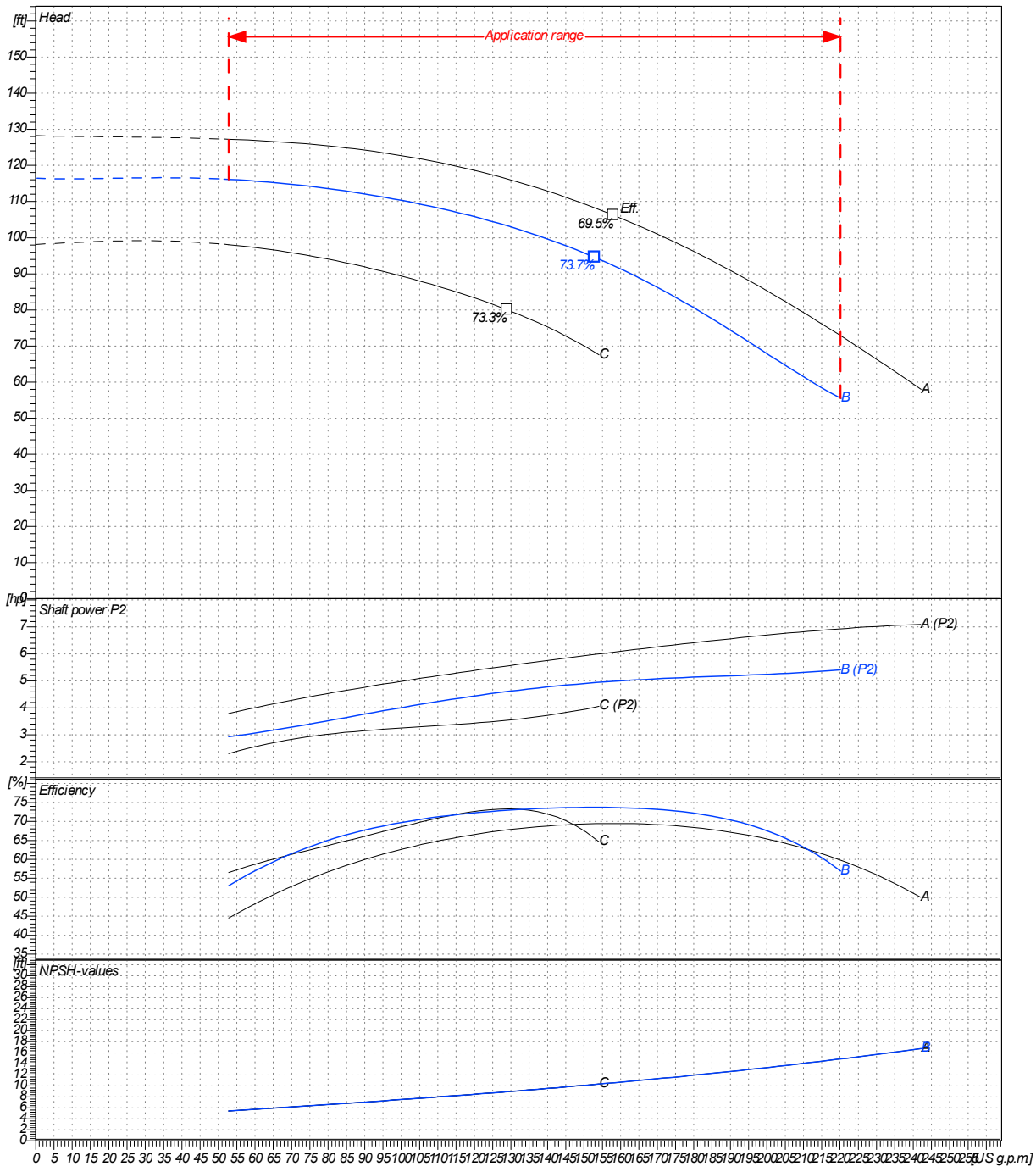


Company name
 Respons. Department
 Person in charge
 Phone number
 Fax no
 E-mail address

Receiver	From

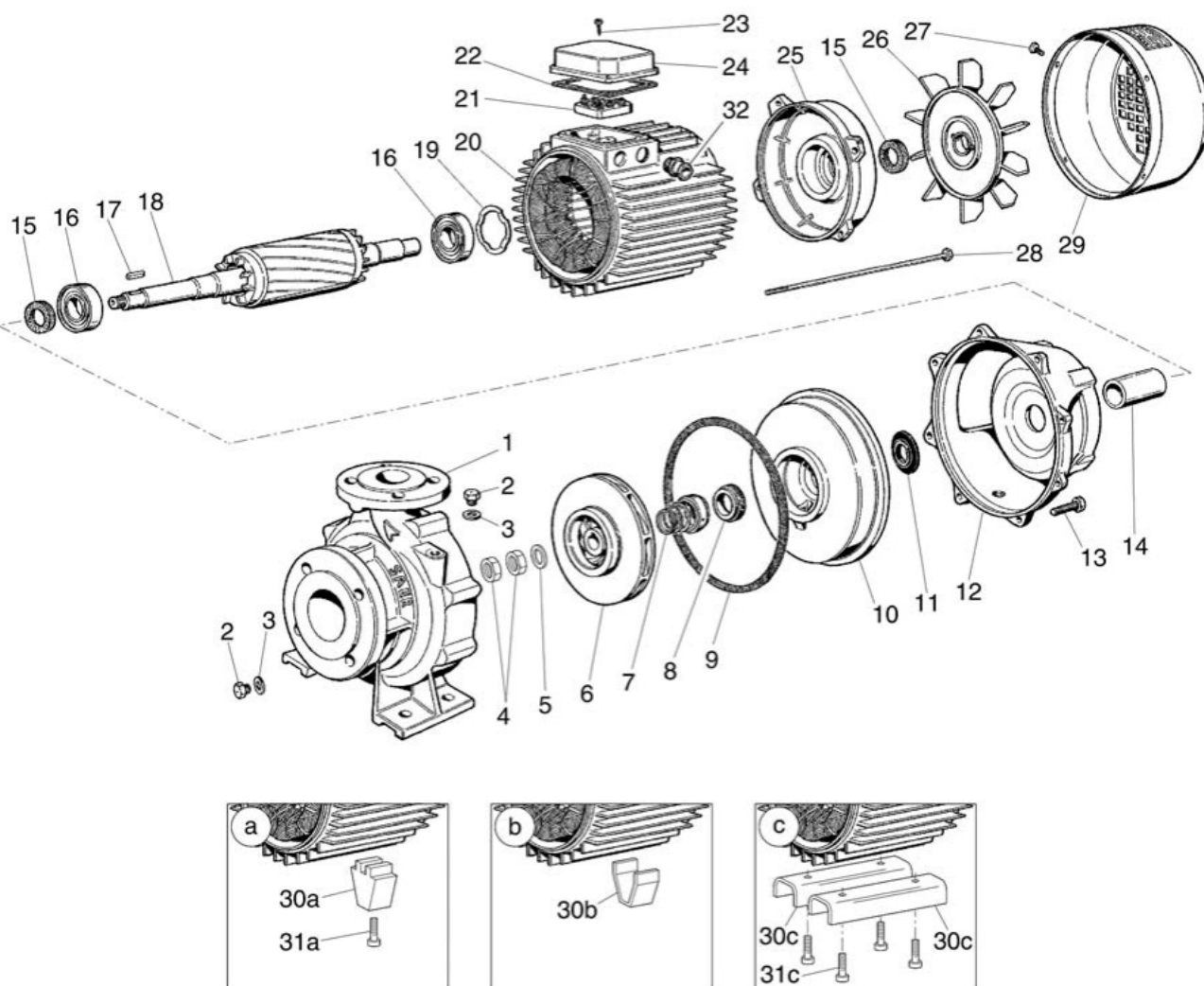
Operating area	Flow	Head	Impeller type
Operating data specification	0 US g.p.m	0 ft	Impeller construction Closed
Pump data	US g.p.m	ft	Sense of rotation Clockwise from the drive end
			Outlet width DN 40
	Flow		Speed rpm 3600
	Min. Max. η Max.	Head H(Q=0) η Max.	Frequency Hz 60 Hz
	US g.p.m US g.p.m US g.p.m	ft ft	
	52.8 220 153	116 94.6	
	Shaft power P2		
	Min. Max. η Max.	P2(Q=0) Max. η Max.	
	US g.p.m US g.p.m US g.p.m	hp hp	
	52.8 220 153	5.41 4.94	

Performance data based to: Water, pure [100%]; 68°F; 62.3lb/ft³; 1.08E-5ft²/s UNI EN ISO 9906:2012 - Grade 3B



Project	Project ID	Created by	Created on 2020/07/16	Last update
---------	------------	------------	--------------------------	-------------

Company name
Respons. Department
Person in charge
Phone number
Fax no
E-mail address



Project

Project ID

Created by

Created on
2020/07/16

Last update