

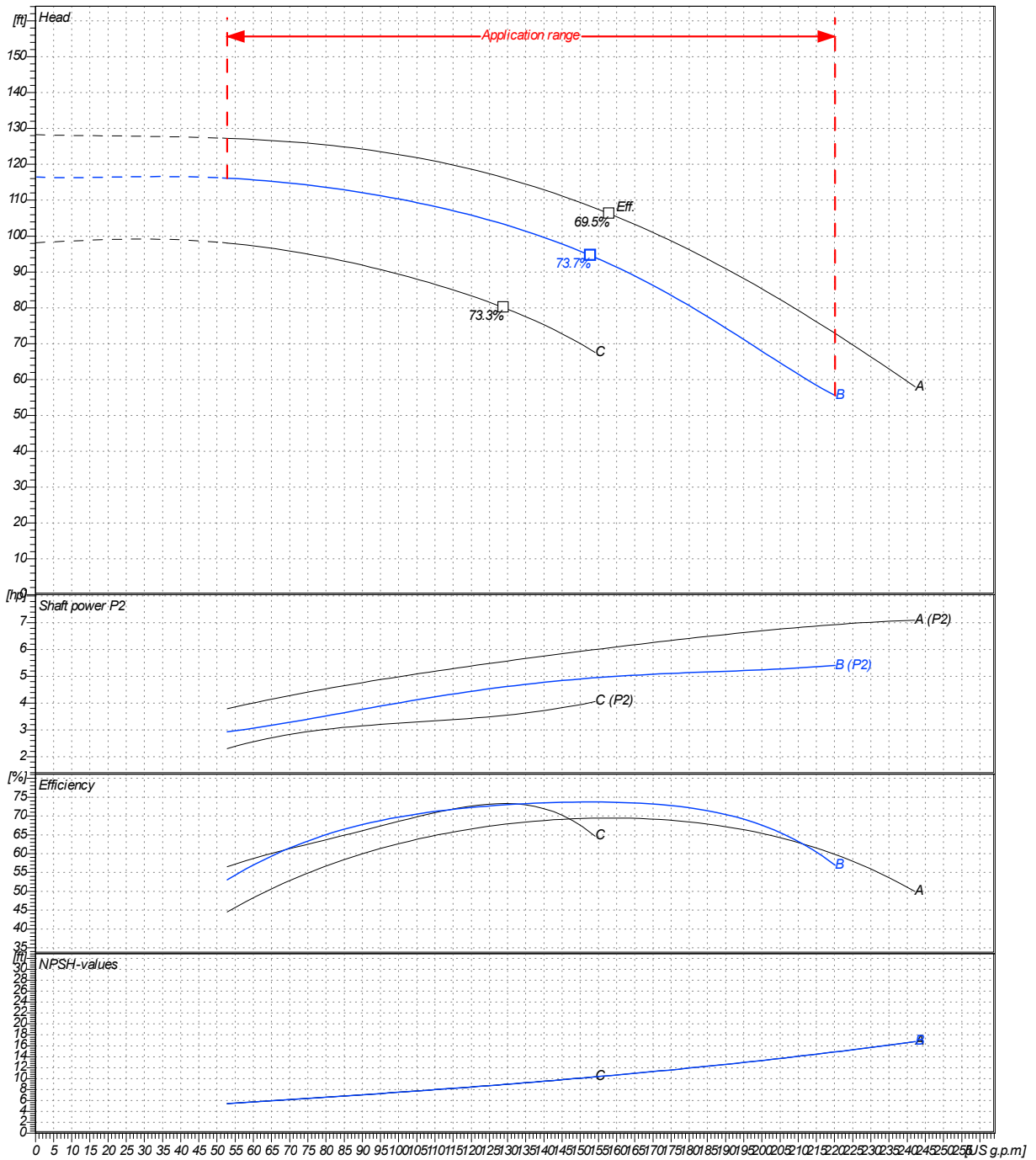


Company name  
 Respons. Department  
 Person in charge  
 Phone number  
 Fax no  
 E-mail address

Receiver	From

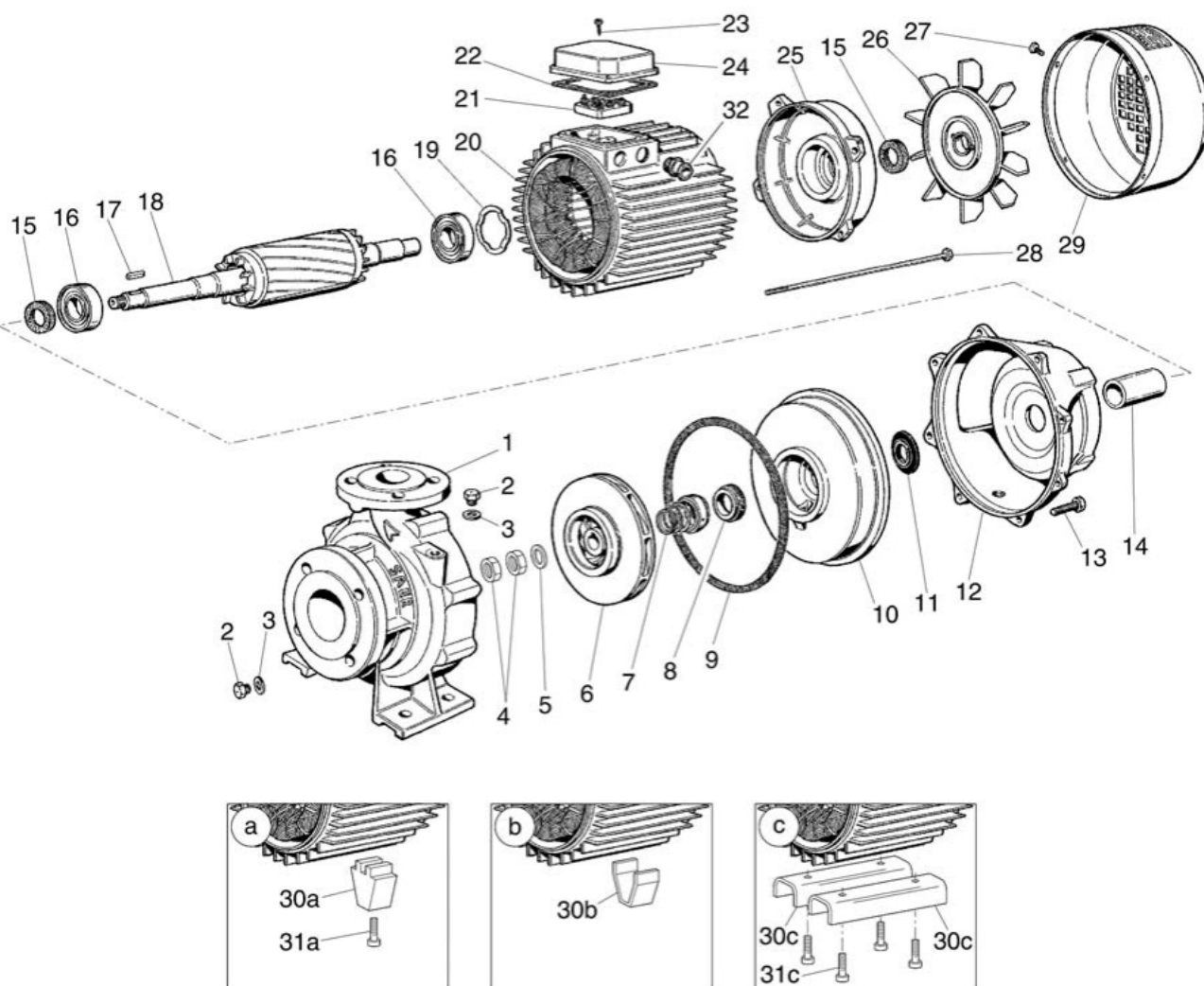
Operating area	Flow	Head	Impeller type
Operating data specification	0 US g.p.m	0 ft	Impeller construction Closed
Pump data	US g.p.m	ft	Sense of rotation Clockwise from the drive end
			Outlet width DN 40
	Flow		Speed rpm 3600
	Min. Max. $\eta$ Max.	Head H(Q=0) $\eta$ Max.	Frequency Hz 60 Hz
	US g.p.m US g.p.m US g.p.m	ft ft	
	52.8 220 153	116 94.6	
	Shaft power P2		
	Min. Max. $\eta$ Max.	P2(Q=0) Max. $\eta$ Max.	
	US g.p.m US g.p.m US g.p.m	hp hp	
	52.8 220 153	5.41 4.94	

Performance data based to: Water, pure [100%]; 68°F; 62.3lb/ft<sup>3</sup>; 1.08E-5ft<sup>2</sup>/s UNI EN ISO 9906:2012 - Grade 3B



Project	Project ID	Created by	Created on 2020/07/16	Last update
---------	------------	------------	--------------------------	-------------

Company name  
Respons. Department  
Person in charge  
Phone number  
Fax no  
E-mail address



Project

Project ID

Created by

Created on  
2020/07/16

Last update