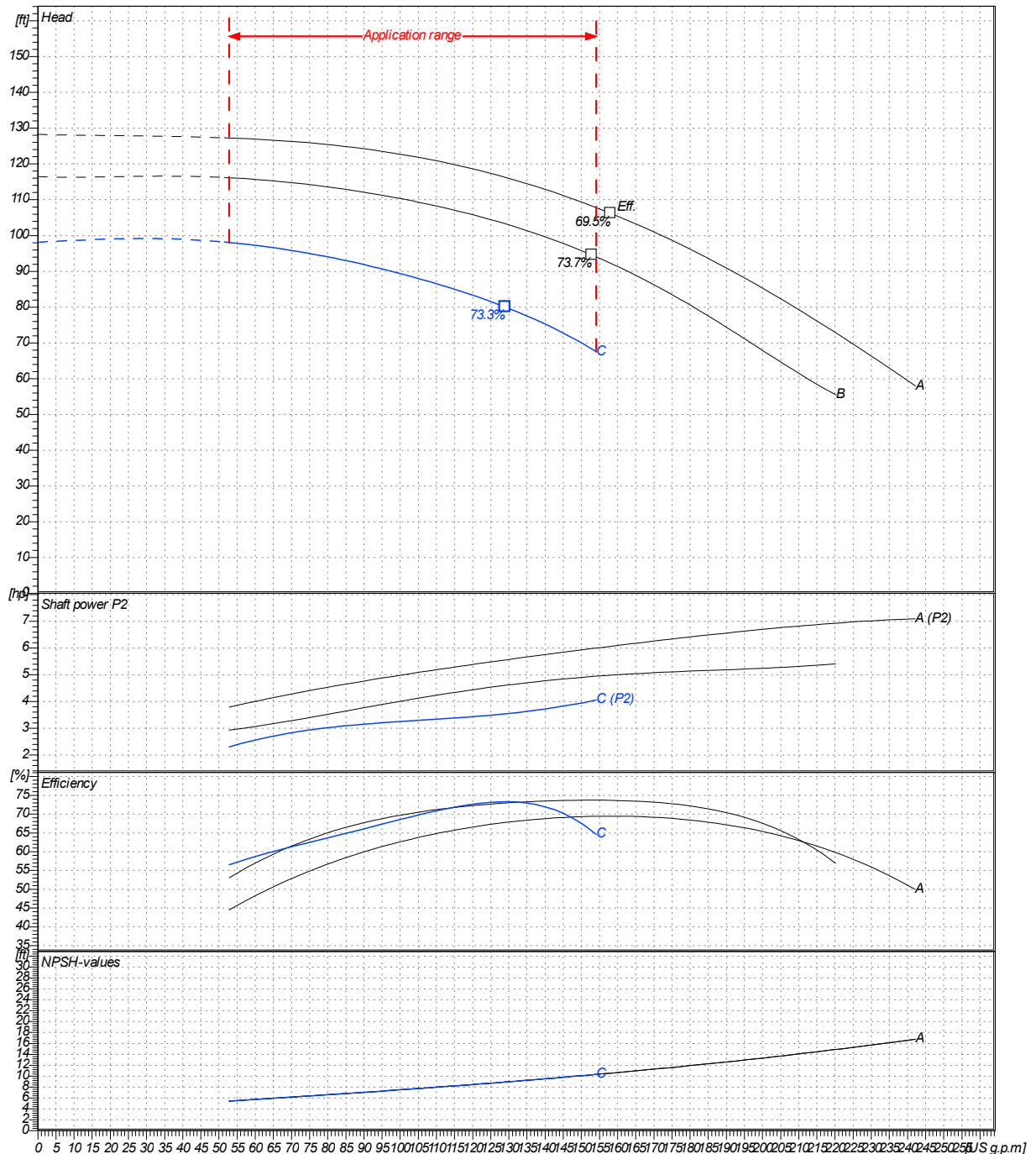


Receiver	From
Company name	
Respons. Department	
Person in charge	
Phone number	
Fax no	
E-mail address	

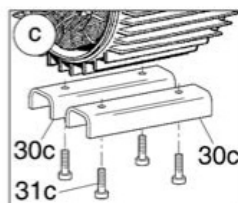
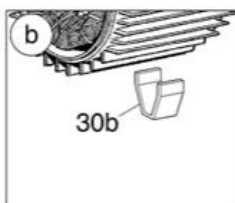
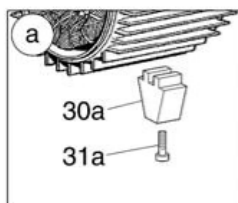
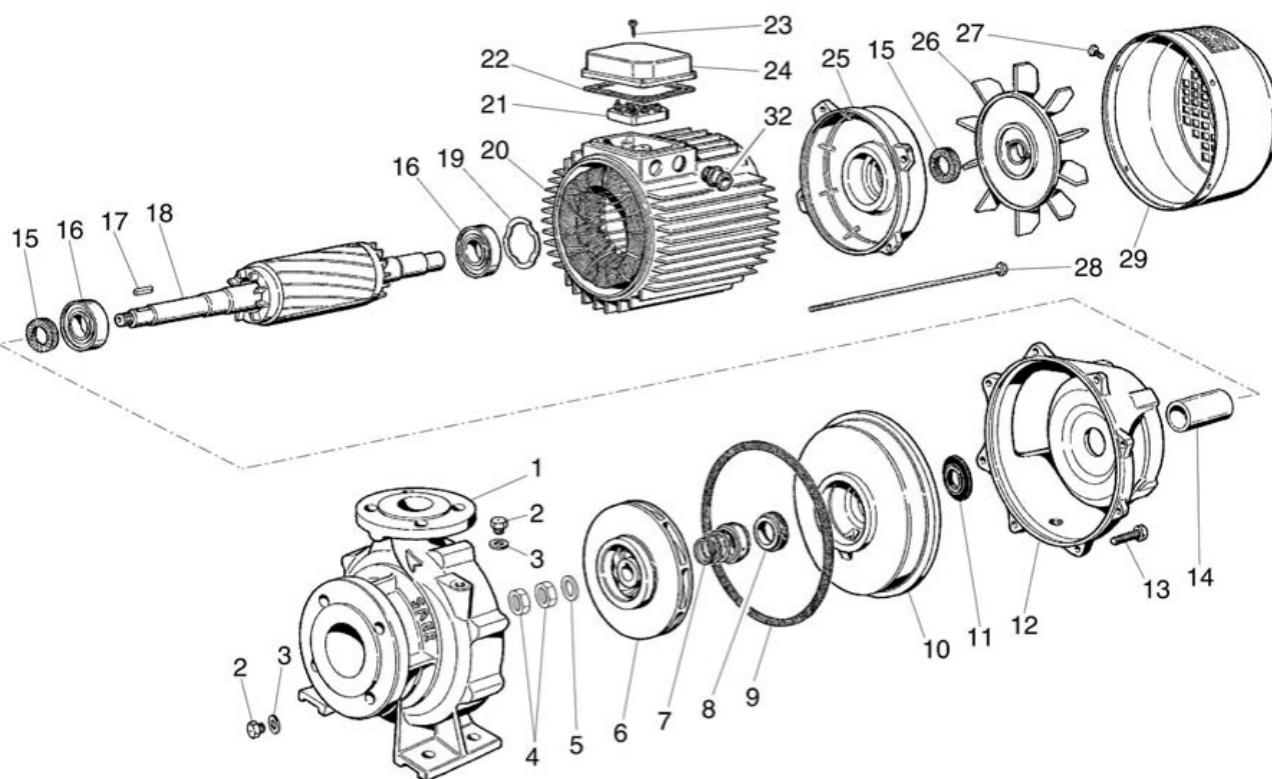
Operating area	Flow	Head	Impeller type
Operating data specification	0 US g.p.m	0 ft	Impeller construction Closed
Pump data	US g.p.m	ft	Sense of rotation Clockwise from the drive end
			Outlet width DN 40
	Flow	Head	Shaft power P2
	Speed	rpm	3600
	Frequency	Hz	60 Hz
	Min. Max. η Max.	H(Q=0) η Max.	P2(Q=0) Max. η Max.
	US g.p.m US g.p.m US g.p.m	ft ft	hp hp hp
	52.8 154 129	98.1 80	4.06 3.54

Performance data based to: Water, pure [100%]; 68°F; 62.3lb/ft³; 1.08E-5ft²/s UNI EN ISO 9906:2012 - Grade 3B



Project	Project ID	Created by	Created on 2020/07/16	Last update
---------	------------	------------	--------------------------	-------------

Company name
Respons. Department
Person in charge
Phone number
Fax no
E-mail address



Project

Project ID

Created by

Created on
2020/07/16

Last update