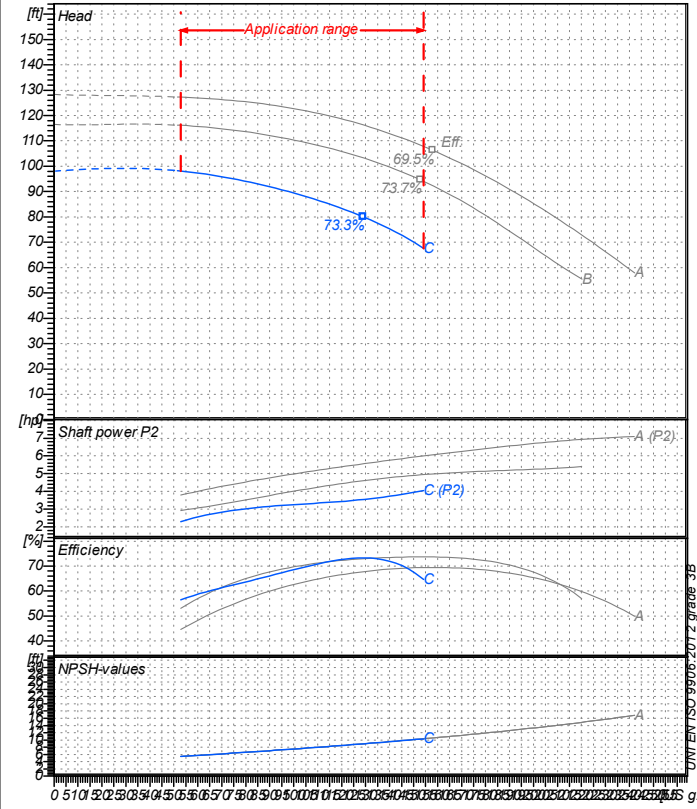


Company name
 Respons. Department
 Person in charge
 Phone number
 Fax no
 E-mail address

Receiver	From



Operating data specification

Nominal flow	US g.p.m 0
Nominal head	ft 0
Static head	ft 0
NPSH - value of plant	ft 0
Inlet pressure	psi 1.42
Fluid	Water, pure
Operating temperature t A	°F 68
Density at t A	lb/ft³ 62.32
Kin. viscosity at t A	ft²/s 1.082E-5

Pump		
Pump name	6IR40-125C	
Size	65/40/125	
Design		
Speed rpm	3600	
No of stages	1	
Impeller type		
Flow	Nominal	US g.p.m
	Max-	US g.p.m 154
	Min-	US g.p.m 52.8
Head	Nominal	ft
	Max-	ft 98.1
	Min-	ft 67.6
Head H(Q=0)	ft 98.1	
NPSH 3%	ft	
Max. working pressure	psi 42.5	
Shaft power	hp	
Efficiency	%	
Max absorbed power	hp 4.0553	

Materials Pump

Shaft	Stainless steel AISI 431 (1.4057)		
Impeller	Cast iron EN-GJL-250		
Pump body	Cast iron EN-GJL-250		
Seal disc	Cast iron EN-GJL-250		
Gasket	Natural fiber		
Mechanical seal	BVEG (Grafite/Ossido Allumina/EPDM)		

Motor	Frame size	90 L		
Manufacturer / Type	SAER	MEC90L-2P-3		
Rated power	hp	4.0231	Efficiency 4/4	83 %
Electric current	A	10 A	Speed	rpm 3600
Electric voltage	V	230V	3~	Hz 60
Starting mode	Unknown			
Degree of protection	IP 55	Insulation class	F	

Dimensions in inch

a	3 ¹ / ₈	?n	3 ¹ / ₄
b	1 ¹⁵ / ₁₆	C	4 ¹³ / ₁₆
DNA	2 ⁹ / ₁₆	D	7 ³ / ₁₆
DNM	1 ⁹ / ₁₆	DN	2 ⁹ / ₁₆
f	14 ⁵ / ₁₆	K	5 ¹¹ / ₁₆
h1	4 ⁷ / ₁₆	n°	3 ¹ / ₁₆
h2	5 ¹ / ₂		
m1	3 ¹³ / ₁₆		
m2	2 ³ / ₄		
n1	8 ¹ / ₄		
n2	6 ⁹ / ₁₆		
s	9 ¹ / ₁₆		
w	10 ¹ / ₂		

Remarks:

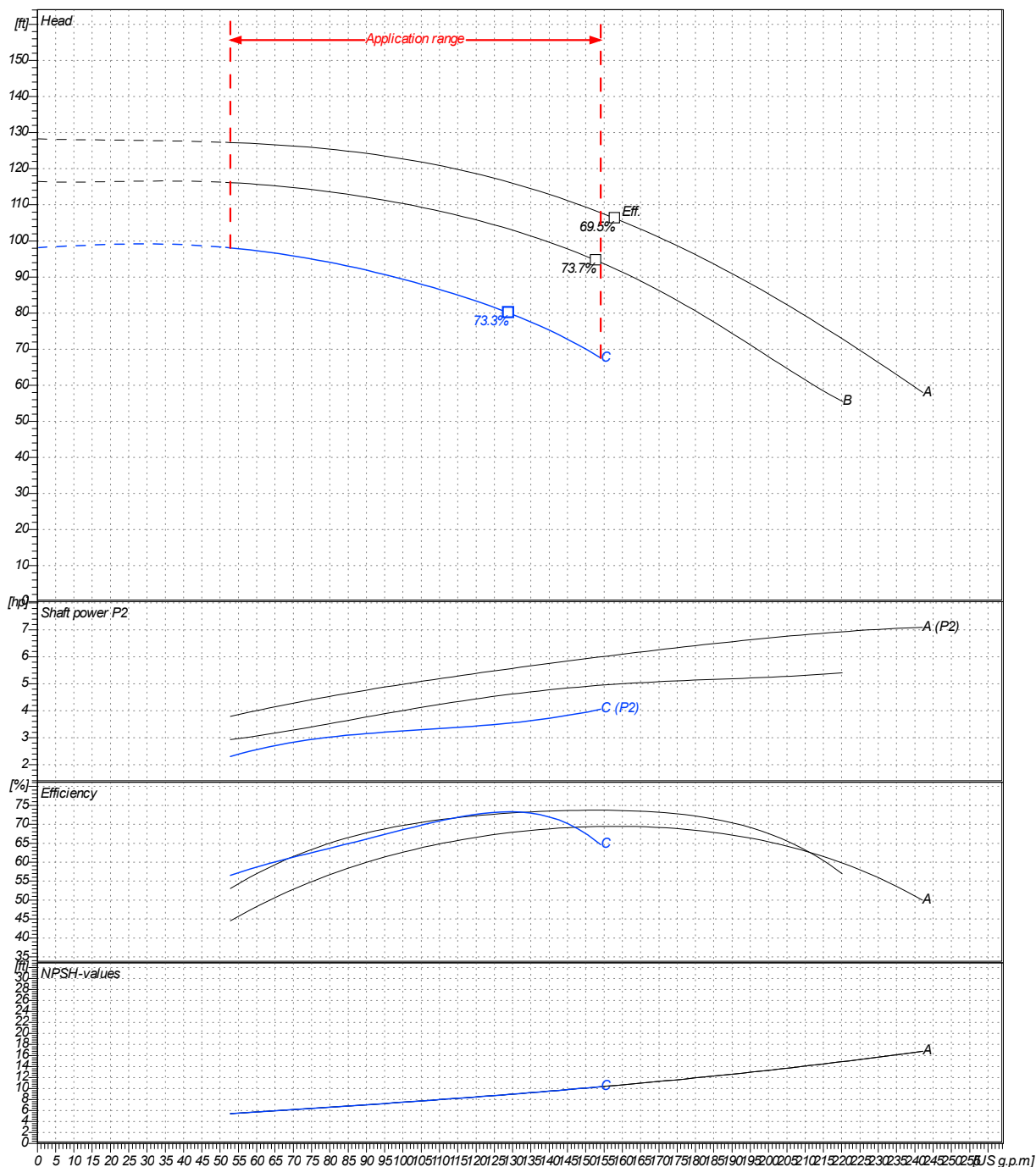
Project	Project ID	Created by	Created on	Last update
			2020/07/16	

Receiver	From
Company name	
Respons. Department	
Person in charge	
Phone number	
Fax no	
E-mail address	

Operating area	Flow	Head	Impeller type
Operating data specification	0 US g.p.m	0 ft	Impeller construction
Pump data	US g.p.m	ft	Sense of rotation
			Clockwise from the drive end
			Outlet width
			DN 40
	Flow	Head	Shaft power P2
	Speed		
	rpm		3600
	Frequency		Hz
			60 Hz
	Min. Max. η Max.	H(Q=0) η Max.	P2(Q=0) Max. η Max.
	US g.p.m US g.p.m US g.p.m	ft ft	hp hp hp
	52.8 154 129	98.1 80	4.06 3.54

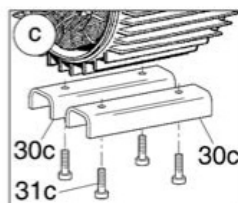
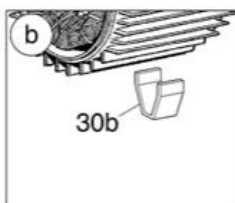
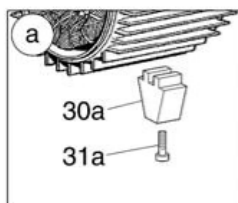
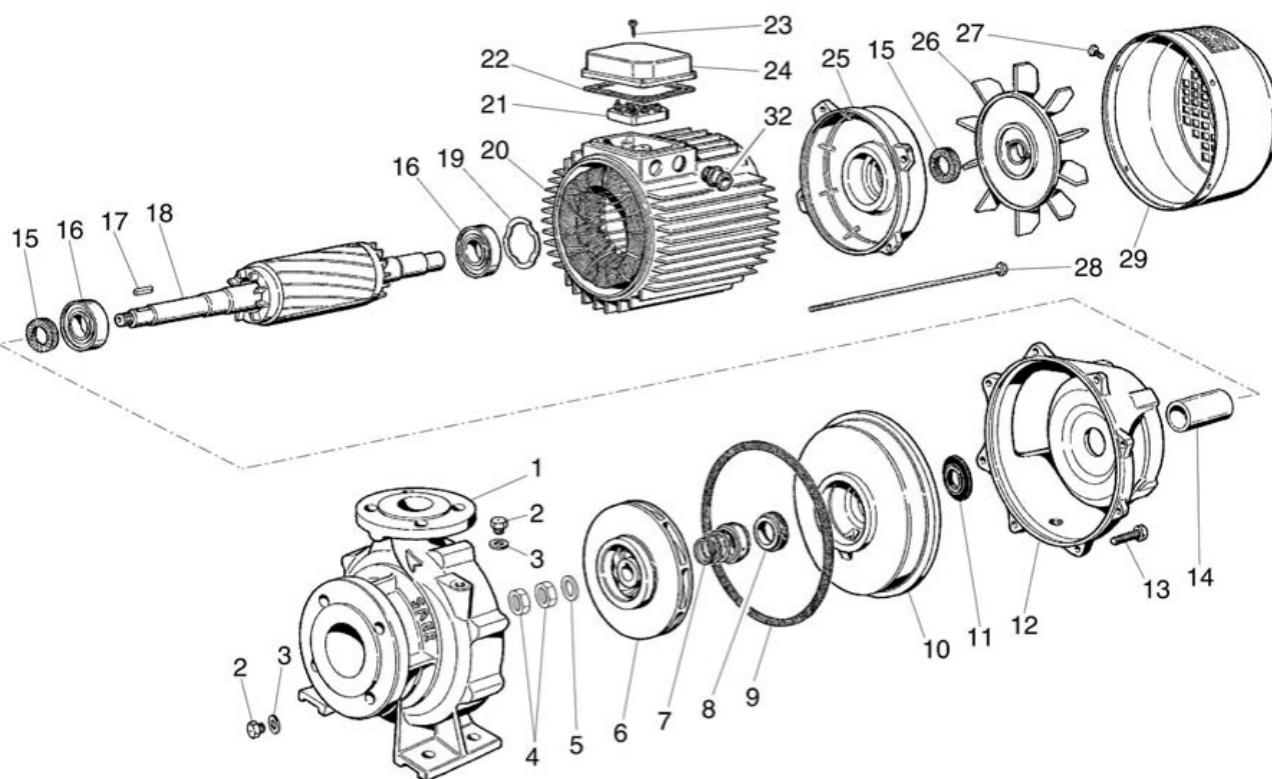
Performance data based to: Water, pure [100%]; 68°F; 62.3lb/ft³; 1.08E-5ft²/s

UNI EN ISO 9906:2012 - Grade 3B



Project	Project ID	Created by	Created on	Last update
			2020/07/16	

Company name
Respons. Department
Person in charge
Phone number
Fax no
E-mail address



Project

Project ID

Created by

Created on
2020/07/16

Last update