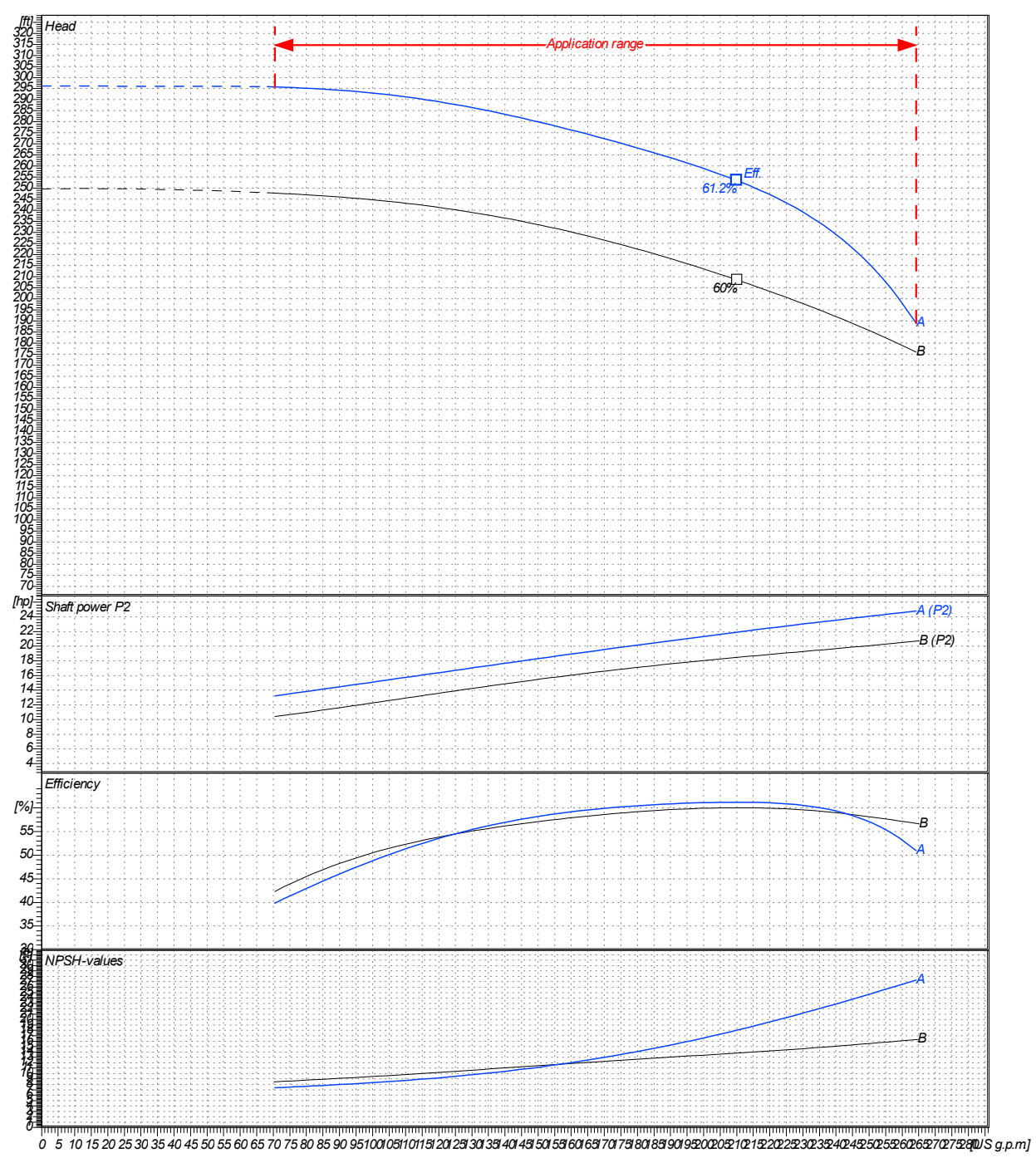




<b>Receiver</b>	<b>From</b>
Company name	
Respons. Department	
Person in charge	
Phone number	
Fax no	
E-mail address	

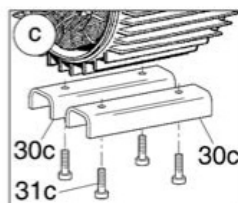
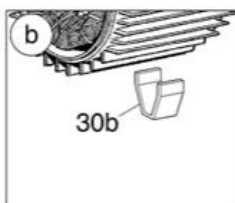
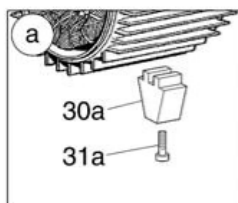
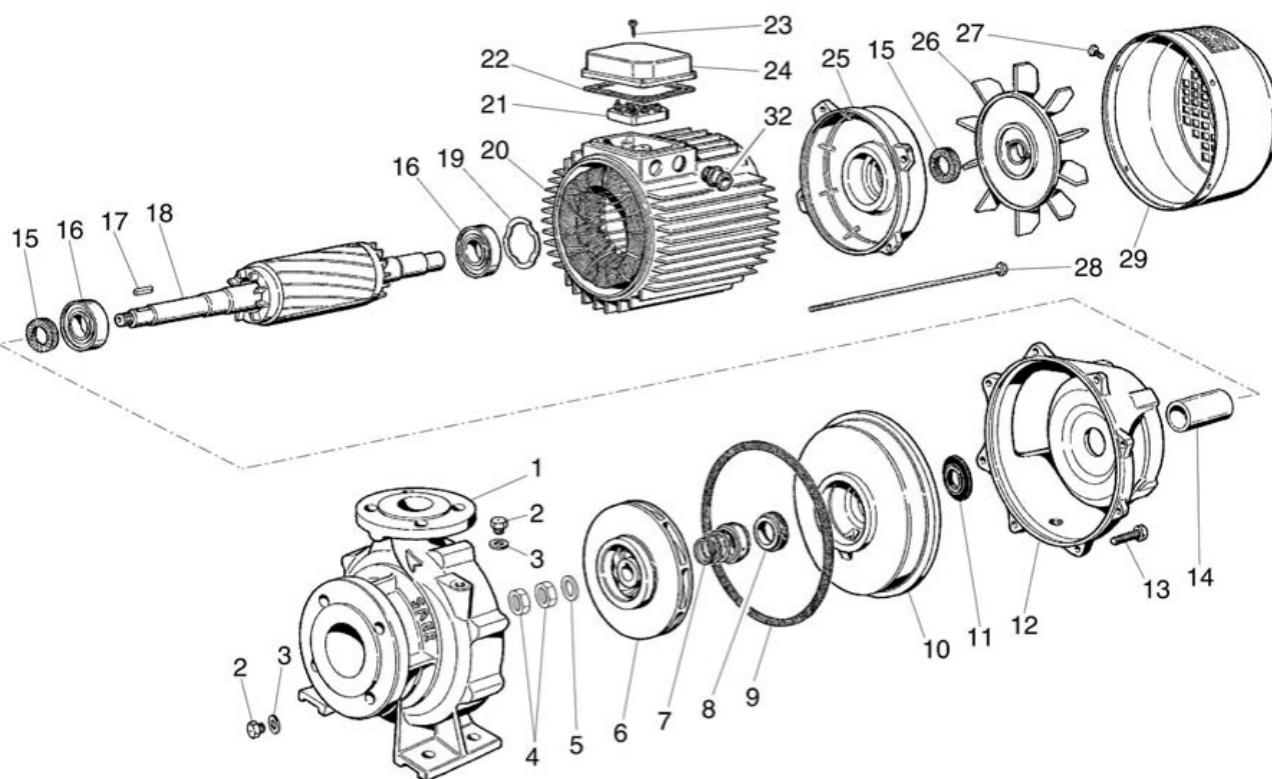
Operating area	Flow	Head	Impeller type
Operating data specification	0 US g.p.m	0 ft	Impeller construction Closed
Pump data	US g.p.m	ft	Sense of rotation Clockwise from the drive end
			Outlet width DN 40
	Flow	Head	Shaft power P2
	Min. Max. $\eta$ Max.	H(Q=0) $\eta$ Max.	P2(Q=0) Max. $\eta$ Max.
	US g.p.m US g.p.m US g.p.m	ft ft	hp hp hp
	70.4 264 210	296 253	24.8 21.9
			Speed rpm 3600
			Frequency Hz 60 Hz

Performance data based to: Water, pure [100%]; 68°F; 62.3lb/ft<sup>3</sup>; 1.08E-5ft<sup>2</sup>/s UNI EN ISO 9906:2012 - Grade 3B



Project	Project ID	Created by	Created on 2020/07/16	Last update
---------	------------	------------	--------------------------	-------------

Company name  
Respons. Department  
Person in charge  
Phone number  
Fax no  
E-mail address



Project

Project ID

Created by

Created on  
2020/07/16

Last update