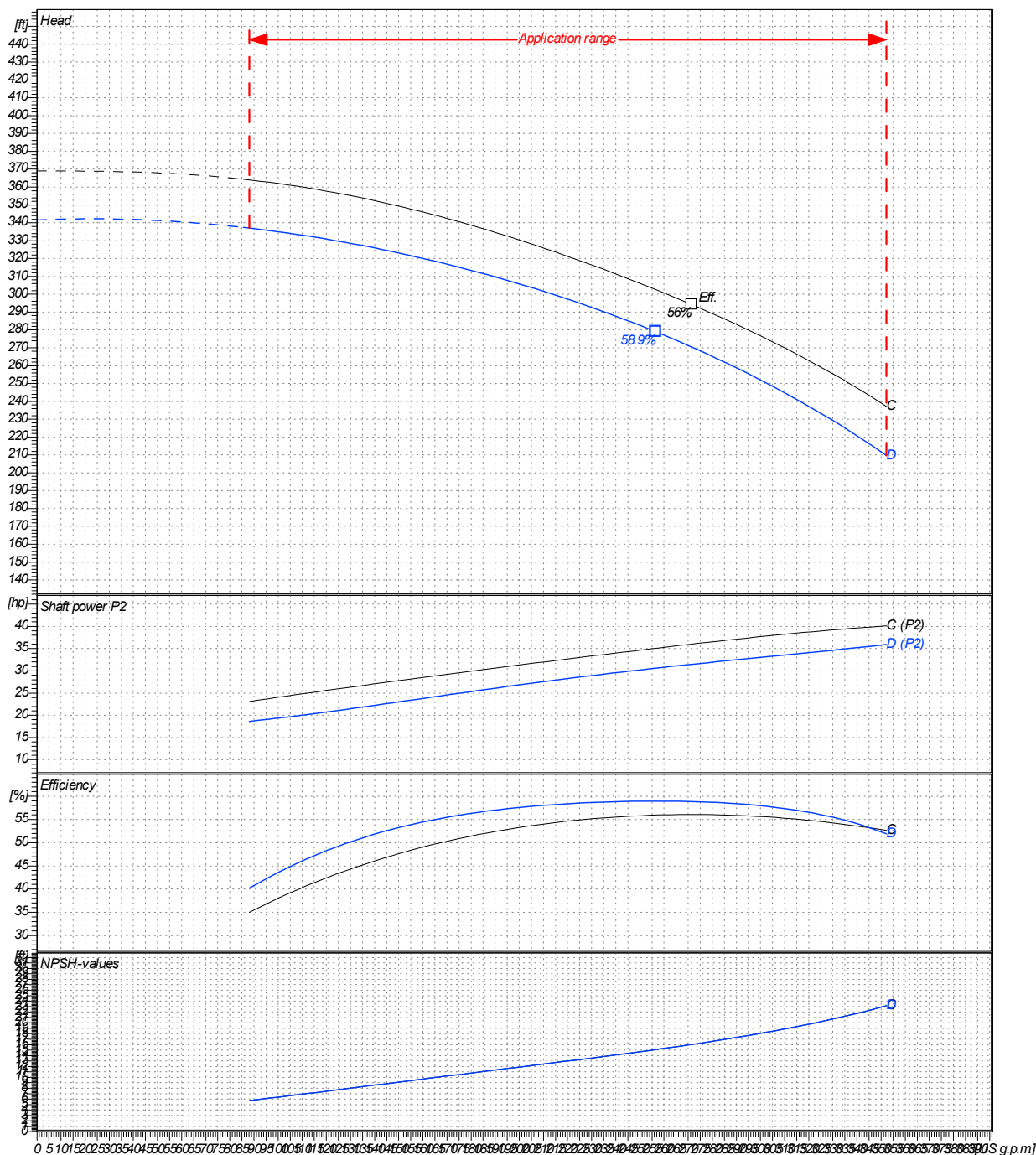


Receiver	From
Company name	
Respons. Department	
Person in charge	
Phone number	
Fax no	
E-mail address	

Operating area	Flow	Head	Impeller type
Operating data specification	0 US g.p.m	0 ft	Impeller construction: Closed
Pump data	US g.p.m	ft	Sense of rotation: Clockwise from the drive end
			Outlet width: DN 40
	Shaft power P2		Speed: rpm 3600
	Min. Max. η Max.	H(Q=0) η Max.	Frequency: Hz 60 Hz
	US g.p.m US g.p.m US g.p.m	ft ft	
	88.1 352 257	342 279	
		P2(Q=0) Max. η Max.	
		hp hp hp	
		36 30.6	

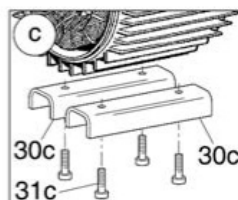
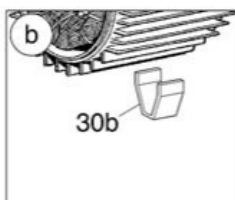
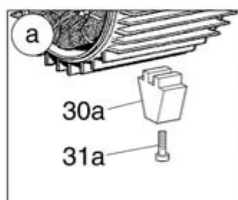
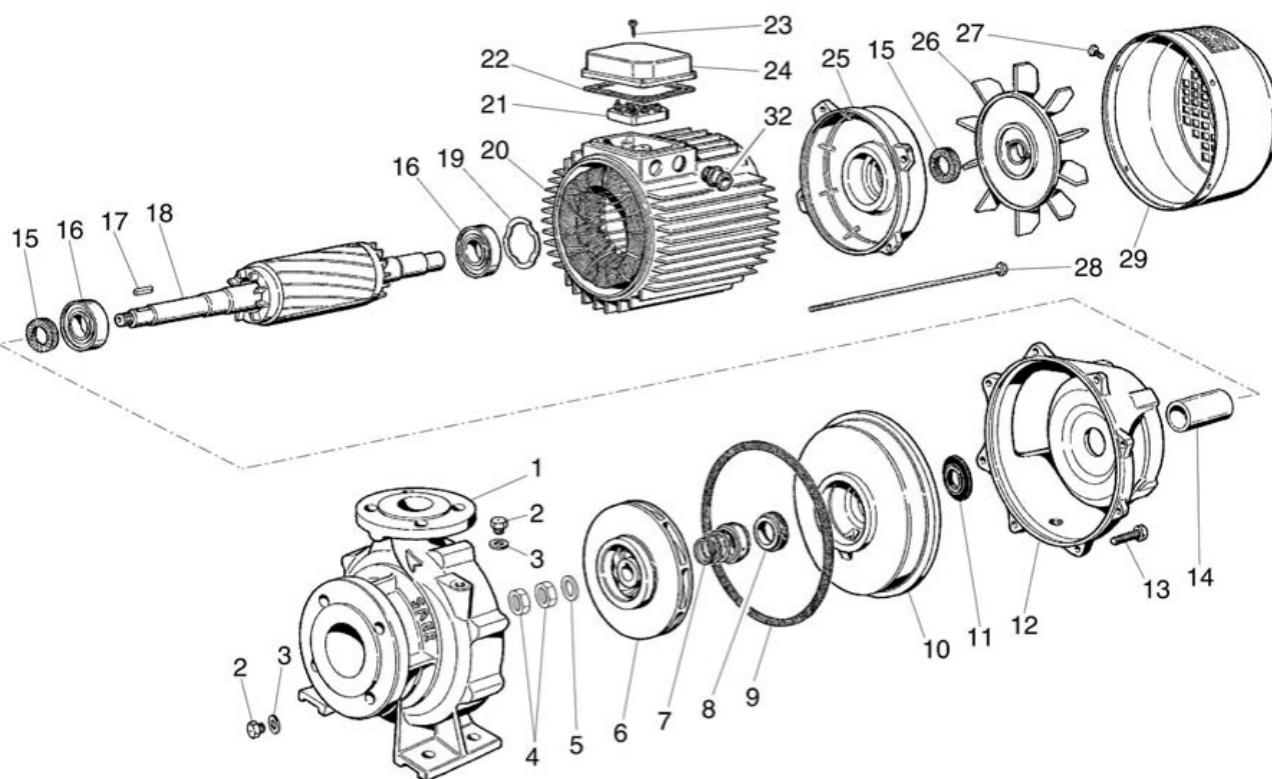
Performance data based to: Water, pure [100%]; 68°F; 62.3lb/ft³; 1.08E-5ft²/s

UNI EN ISO 9906:2012 - Grade 3B



Project	Project ID	Created by	Created on	Last update
			2020/07/16	

Company name
Respons. Department
Person in charge
Phone number
Fax no
E-mail address



Project

Project ID

Created by

Created on
2020/07/16

Last update