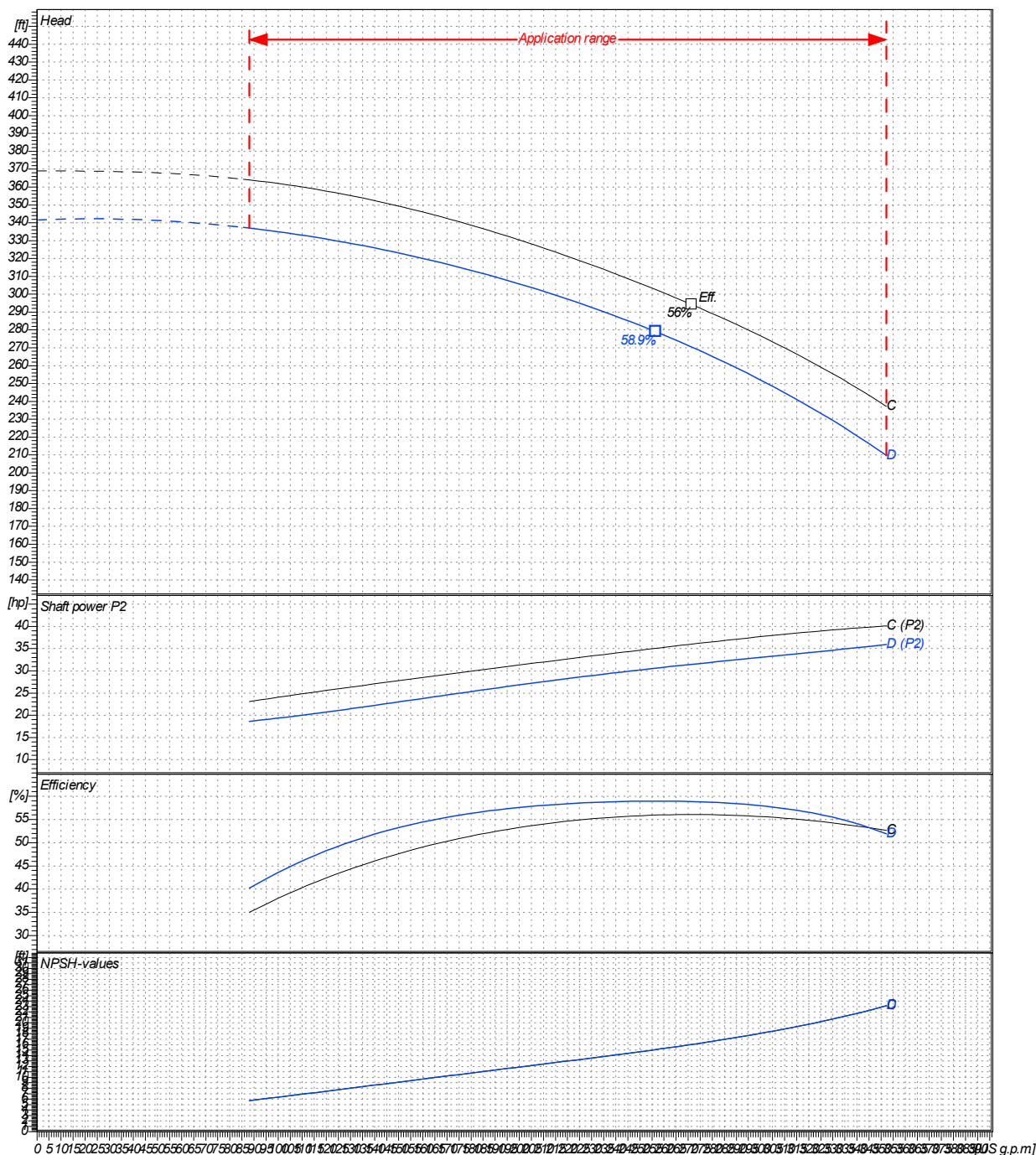


| | |
|---------------------|-------------|
| Receiver | From |
| Company name | |
| Respons. Department | |
| Person in charge | |
| Phone number | |
| Fax no | |
| E-mail address | |

| | | | |
|------------------------------|----------------------------|--------------------|---|
| Operating area | Flow | Head | Impeller type |
| Operating data specification | 0 US g.p.m | 0 ft | Impeller construction: Closed |
| Pump data | US g.p.m | ft | Sense of rotation: Clockwise from the drive end |
| | | | Outlet width: DN 40 |
| | Flow | Head | Shaft power P2 |
| | Min. Max. η Max. | H(Q=0) η Max. | P2(Q=0) Max. η Max. |
| | US g.p.m US g.p.m US g.p.m | ft ft | hp hp hp |
| | 88.1 352 257 | 342 279 | 36 30.6 |
| | | | Speed rpm: 3600 |
| | | | Frequency Hz: 60 Hz |

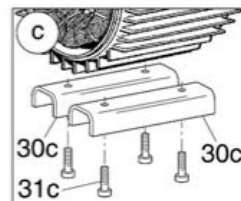
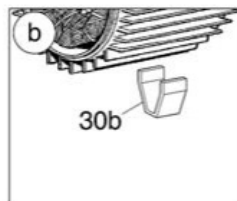
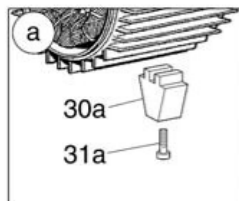
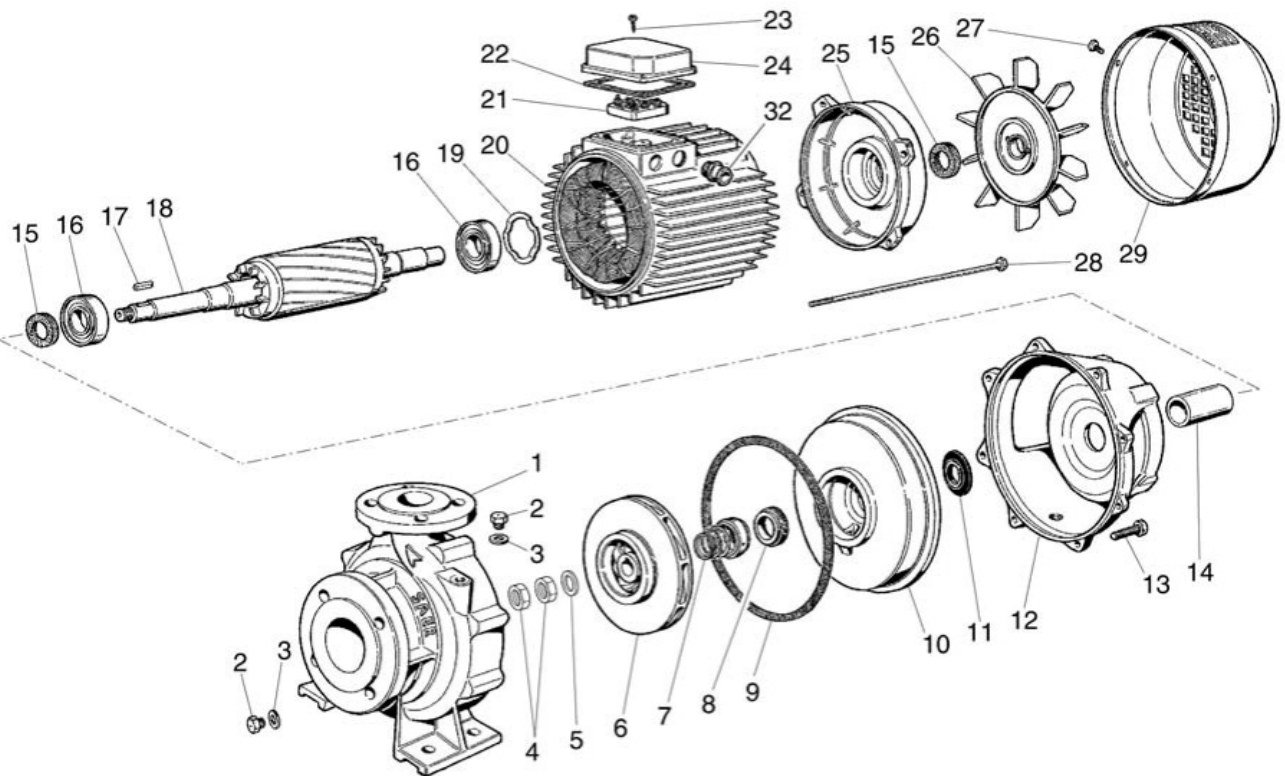
 Performance data based to: Water, pure [100%]; 68°F; 62.3lb/ft³; 1.08E-5ft²/s

UNI EN ISO 9906:2012 - Grade 3B



| | | | | |
|---------|------------|------------|------------|-------------|
| Project | Project ID | Created by | Created on | Last update |
| | | | 2020/07/16 | |

Company name
Respons. Department
Person in charge
Phone number
Fax no
E-mail address



Project

Project ID

Created by

Created on
2020/07/16

Last update