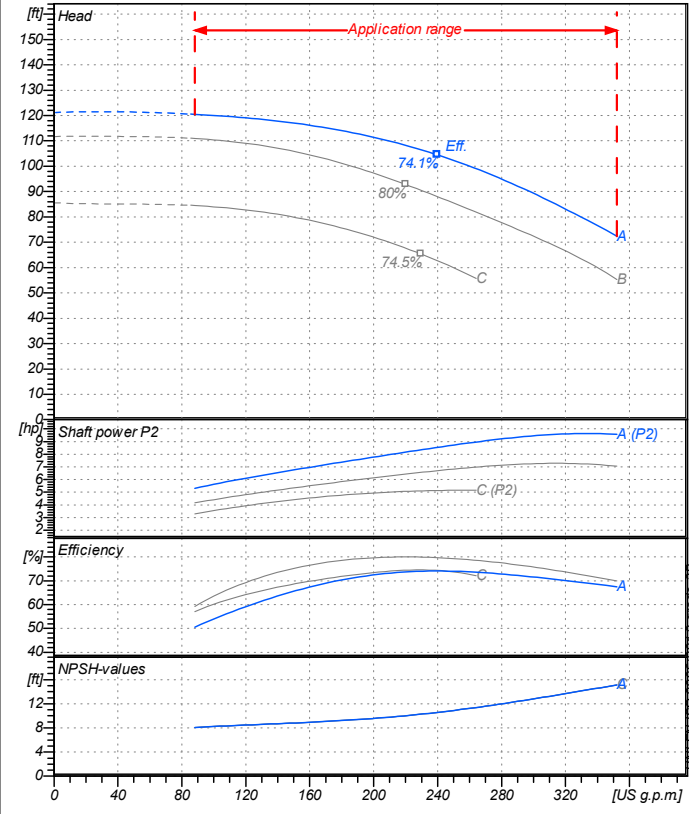


Company name  
 Respons. Department  
 Person in charge  
 Phone number  
 Fax no  
 E-mail address

Receiver	From



### Operating data specification

Nominal flow	US g.p.m 0
Nominal head	ft 0
Static head	ft 0
NPSH - value of plant	ft 0
Inlet pressure	psi 1.42
Fluid	Water, pure
Operating temperature t A	°F 68
Density at t A	lb/ft³ 62.32
Kin. viscosity at t A	ft²/s 1.082E-5

<b>Pump</b>		
Pump name	6IR50-125A	
Size	65/50/125	
Design		
Speed rpm	3600	
No of stages	1	
Impeller type		
Flow	Nominal	US g.p.m
	Max-	US g.p.m 352
	Min-	US g.p.m 88.1
Head	Nominal	ft
	Max-	ft 120
	Min-	ft 72.5
Head H(Q=0)	ft 121	
NPSH 3%	ft	
Max. working pressure	psi 52.5	
Shaft power	hp	
Efficiency	%	
Max absorbed power	hp 9.6352	

### Materials Pump

Shaft	Stainless steel AISI 431 (1.4057)		
Impeller	Cast iron EN-GJL-250		
Pump body	Cast iron EN-GJL-250		
Seal disc	Cast iron EN-GJL-250		
Gasket	Natural fiber		
Mechanical seal	BVEG (Grafite/Ossido Allumina/EPDM)		

### Dimensions in inch

a	3 <sup>15</sup> / <sub>16</sub>
b	1 <sup>15</sup> / <sub>16</sub>
DNA	2 <sup>9</sup> / <sub>16</sub>
DNM	1 <sup>15</sup> / <sub>16</sub>
f	16 <sup>11</sup> / <sub>16</sub>
h1	5 <sup>3</sup> / <sub>16</sub>
h2	6 <sup>5</sup> / <sub>16</sub>
m1	3 <sup>15</sup> / <sub>16</sub>
m2	2 <sup>3</sup> / <sub>4</sub>
n1	9 <sup>7</sup> / <sub>16</sub>
n2	7 <sup>1</sup> / <sub>2</sub>
s	9 <sup>9</sup> / <sub>16</sub>
w	11 <sup>7</sup> / <sub>8</sub>

?n	3/4	?n	3/4
C	4	C	4 <sup>13</sup> / <sub>16</sub>
D	6 <sup>1</sup> / <sub>2</sub>	D	7 <sup>3</sup> / <sub>16</sub>
DN	1 <sup>15</sup> / <sub>16</sub>	DN	2 <sup>9</sup> / <sub>16</sub>
K	4 <sup>15</sup> / <sub>16</sub>	K	5 <sup>11</sup> / <sub>16</sub>
n°	3/16	n°	3/16

<b>Motor</b>	Frame size	112 M		
Manufacturer / Type	SAER	MEC112M-2P-7.5		
Rated power	hp	10.058	Efficiency 4/4	87 %
Electric current	A	12.4 A	Speed rpm	3600
Electric voltage	V	460V	3~	Hz 60
Starting mode	Unknown			
Degree of protection	IP 55	Insulation class	F	

Remarks:

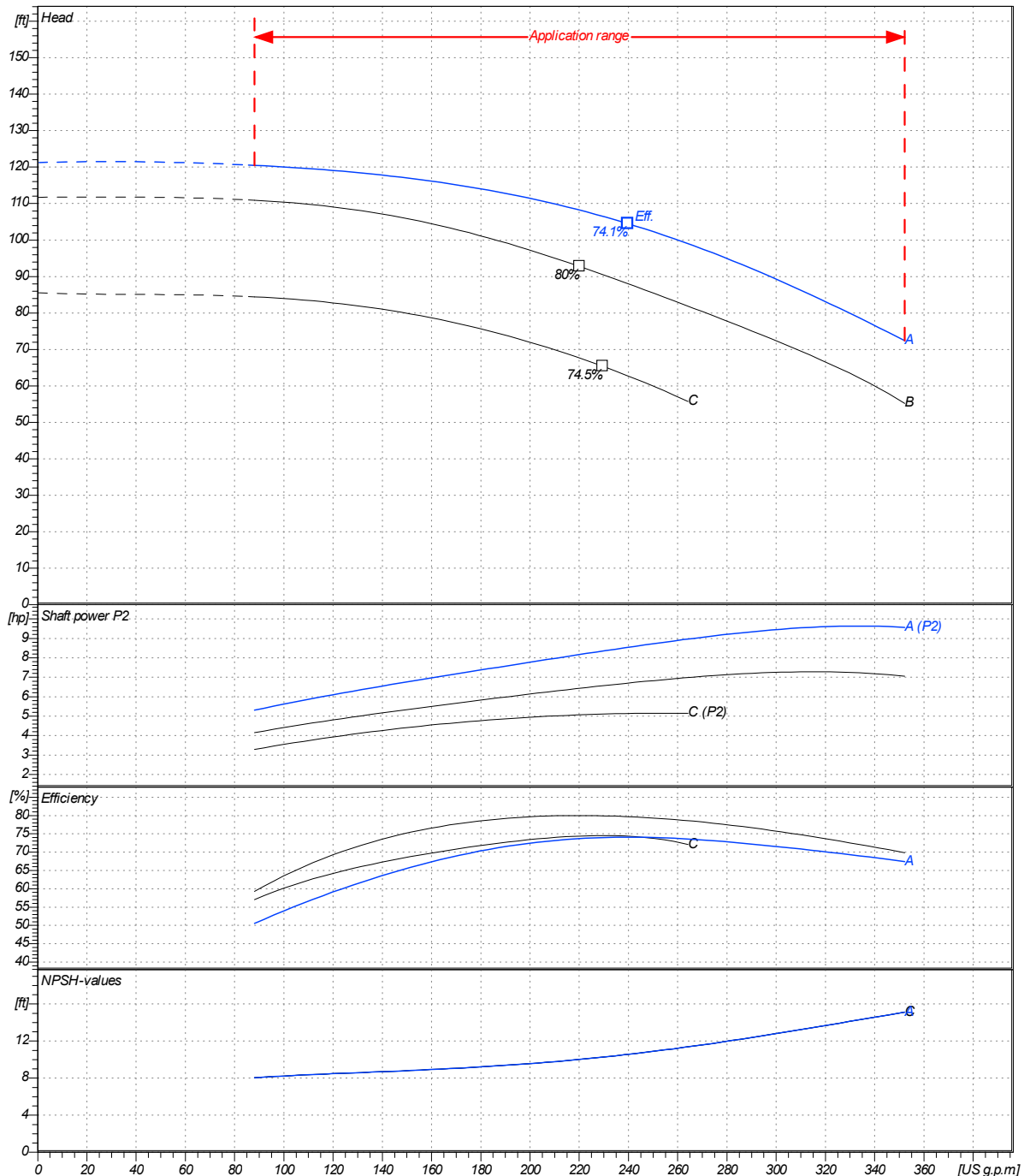
Project	Project ID	Created by	Created on	Last update
			<b>2020-07-20</b>	

Receiver		From	
Company name			
Respons. Department			
Person in charge			
Phone number			
Fax no			
E-mail address			

Operating area	Flow	Head	Impeller type
Operating data specification	0 US g.p.m	0 ft	Impeller construction Closed
Pump data	US g.p.m	ft	Sense of rotation Clockwise from the drive end
			Outlet width DN 50
	Flow	Head	Shaft power P2
	Min. Max. $\eta$ Max.	H(Q=0) $\eta$ Max.	P2(Q=0) Max. $\eta$ Max.
	US g.p.m US g.p.m US g.p.m	ft ft	hp hp hp
	88.1 352 240	121 105	9.64 8.54
			Speed rpm 3600
			Frequency Hz 60 Hz

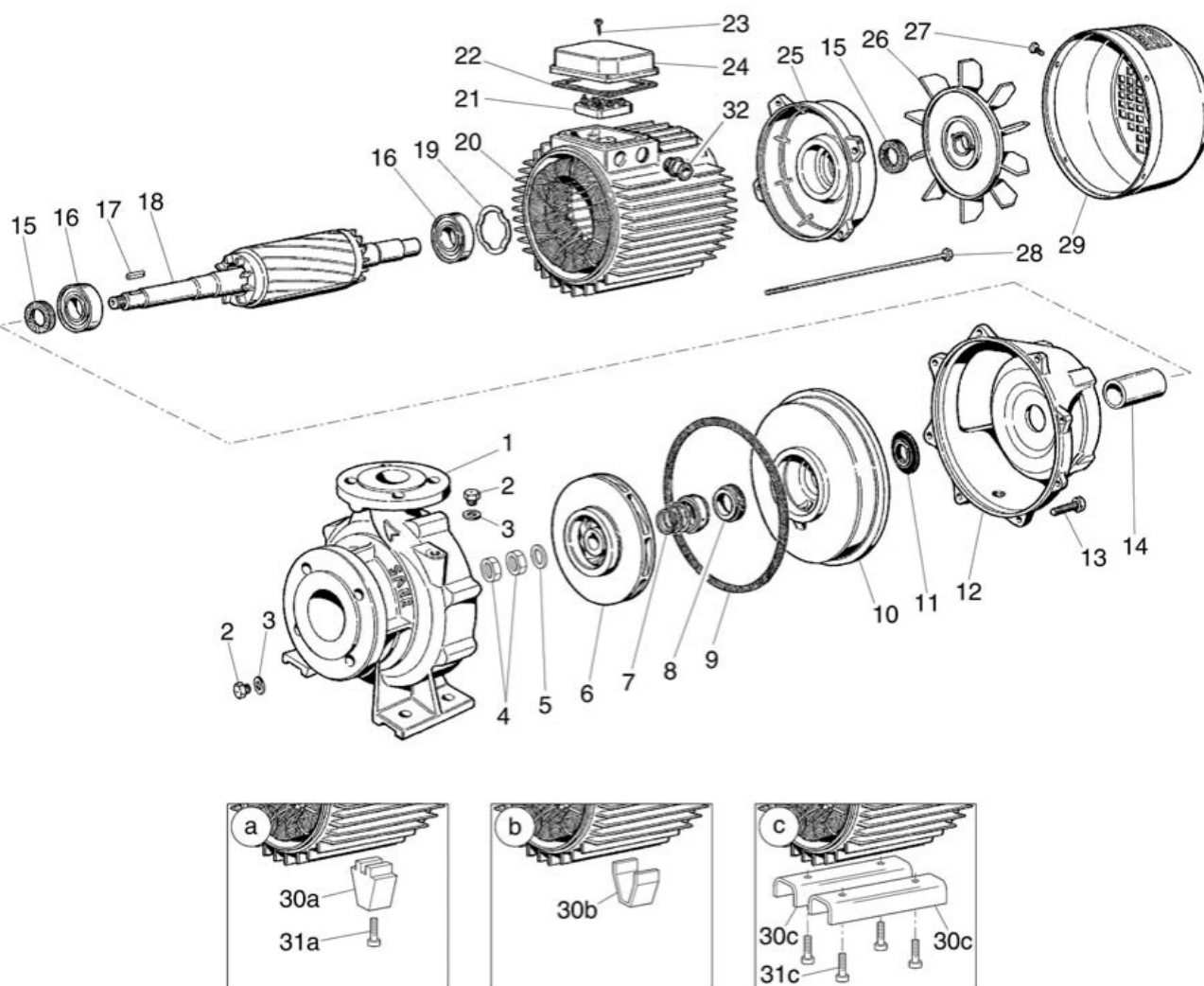
Performance data based to: Water, pure [100%]; 68°F; 62.3lb/ft³; 1.08E-5ft²/s

UNI EN ISO 9906:2012 - Grade 3B



Project	Project ID	Created by	Created on 2020-07-20	Last update
---------	------------	------------	--------------------------	-------------

Company name  
Respons. Department  
Person in charge  
Phone number  
Fax no  
E-mail address



Project

Project ID

Created by

Created on  
2020-07-20

Last update