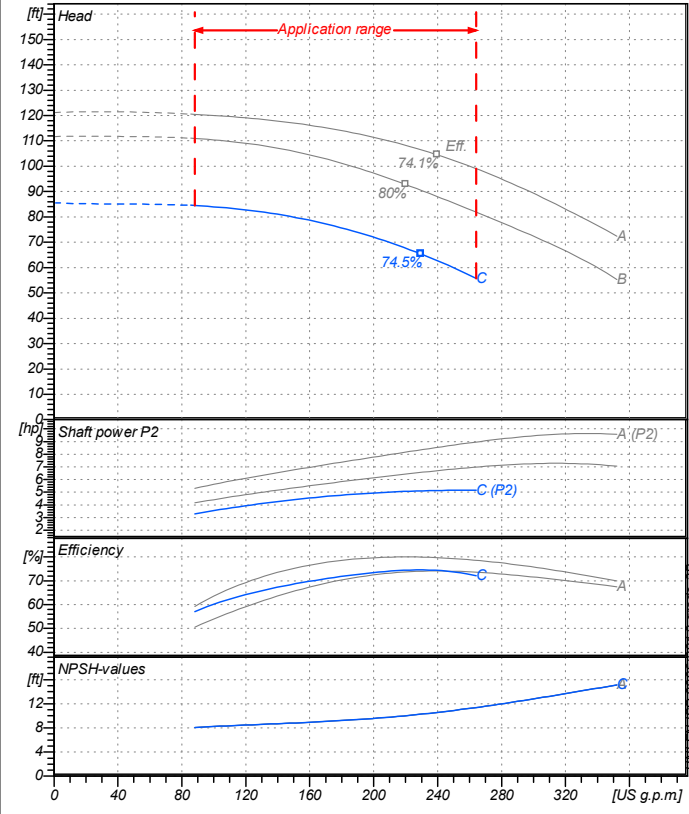


Company name  
 Respons. Department  
 Person in charge  
 Phone number  
 Fax no  
 E-mail address

Receiver	From



### Operating data specification

Nominal flow	US g.p.m 0
Nominal head	ft 0
Static head	ft 0
NPSH - value of plant	ft 0
Inlet pressure	psi 1.42
Fluid	Water, pure
Operating temperature t A	°F 68
Density at t A	lb/ft³ 62.32
Kin. viscosity at t A	ft²/s 1.082E-5

Pump		
Pump name	6IR50-125C	
Size	65/50/125	
Design		
Speed rpm	3600	
No of stages	1	
Impeller type		
Flow	Nominal	US g.p.m
	Max-	US g.p.m 264
	Min-	US g.p.m 88.1
Head	Nominal	ft
	Max-	ft 84.4
	Min-	ft 55.8
Head H(Q=0)	ft 85.6	
NPSH 3%	ft	
Max. working pressure	psi 37	
Shaft power	hp	
Efficiency	%	
Max absorbed power	hp 5.1537	

### Materials Pump

Shaft	Stainless steel AISI 431 (1.4057)		
Impeller	Cast iron EN-GJL-250		
Pump body	Cast iron EN-GJL-250		
Seal disc	Cast iron EN-GJL-250		
Gasket	Natural fiber		
Mechanical seal	BVEG (Grafito/Ossido Allumina/EPDM)		

### Dimensions in inch

a	3 <sup>15</sup> / <sub>16</sub>	h1	5 <sup>3</sup> / <sub>16</sub>
b	1 <sup>15</sup> / <sub>16</sub>	h2	6 <sup>5</sup> / <sub>16</sub>
DNA	2 <sup>9</sup> / <sub>16</sub>	m1	3 <sup>15</sup> / <sub>16</sub>
DNM	1 <sup>15</sup> / <sub>16</sub>	m2	2 <sup>3</sup> / <sub>4</sub>
f	15 <sup>1</sup> / <sub>2</sub>	n1	9 <sup>7</sup> / <sub>16</sub>
n1	9 <sup>7</sup> / <sub>16</sub>	n2	7 <sup>1</sup> / <sub>2</sub>
n2	7 <sup>1</sup> / <sub>2</sub>	s	9 <sup>9</sup> / <sub>16</sub>
s	9 <sup>9</sup> / <sub>16</sub>	w	10 <sup>11</sup> / <sub>16</sub>
w	10 <sup>11</sup> / <sub>16</sub>		

Motor		Frame size	112 M	
Manufacturer / Type		SAER	MEC112M-2P-4	
Rated power	hp	5.3641	Efficiency 4/4	85.5 %
Electric current	A	7.3 A	Speed	rpm 3600
Electric voltage	V	460V	3~	Hz 60
Starting mode	Unknown			
Degree of protection	IP 55	Insulation class	F	

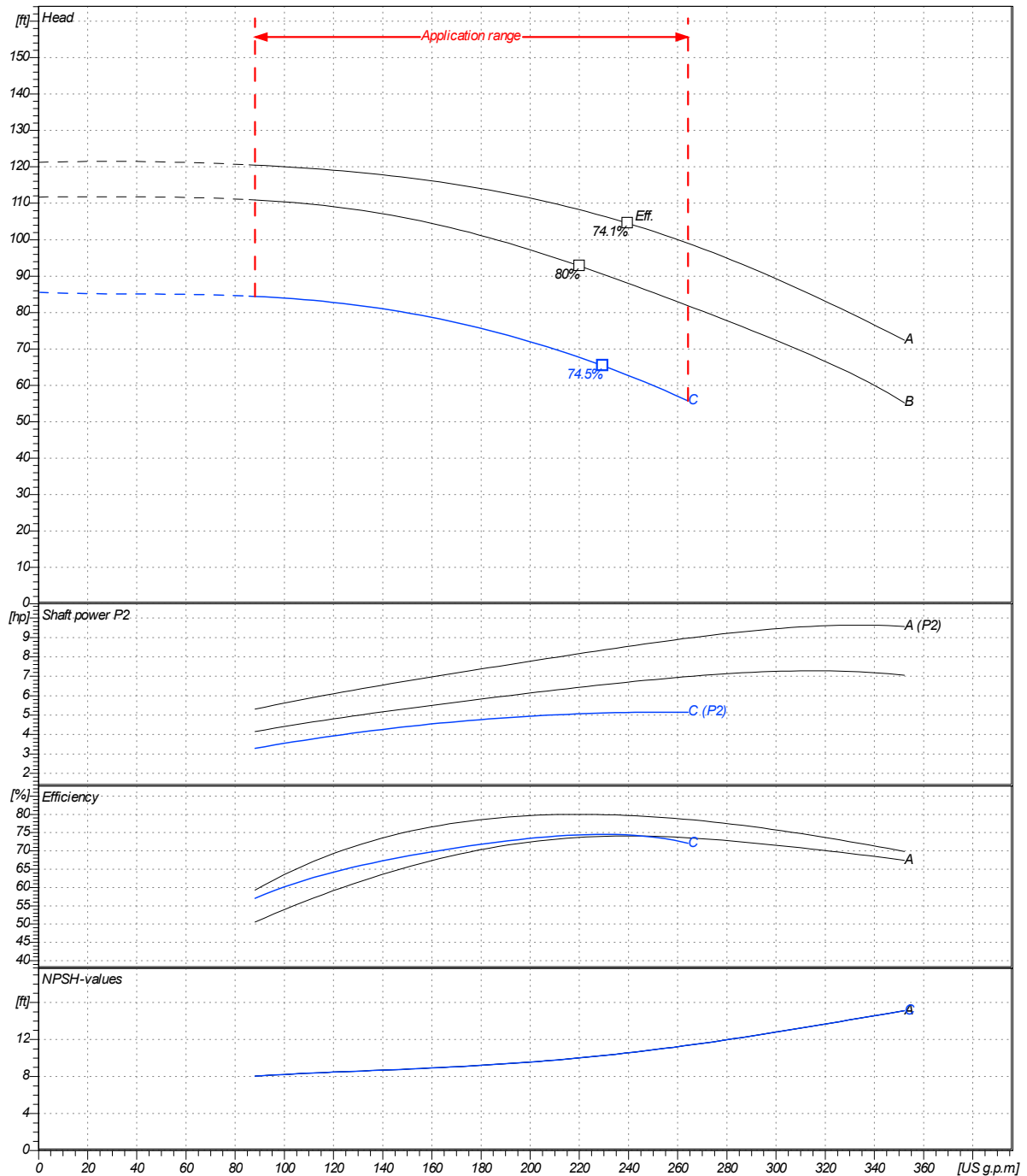
Remarks:

Project	Project ID	Created by	Created on	Last update
			2020/07/16	

<b>Receiver</b>	<b>From</b>
Company name	
Respons. Department	
Person in charge	
Phone number	
Fax no	
E-mail address	

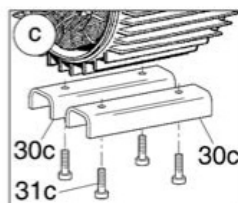
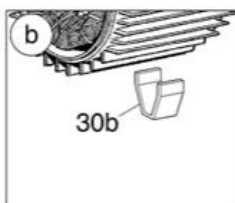
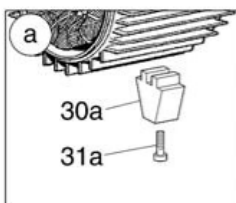
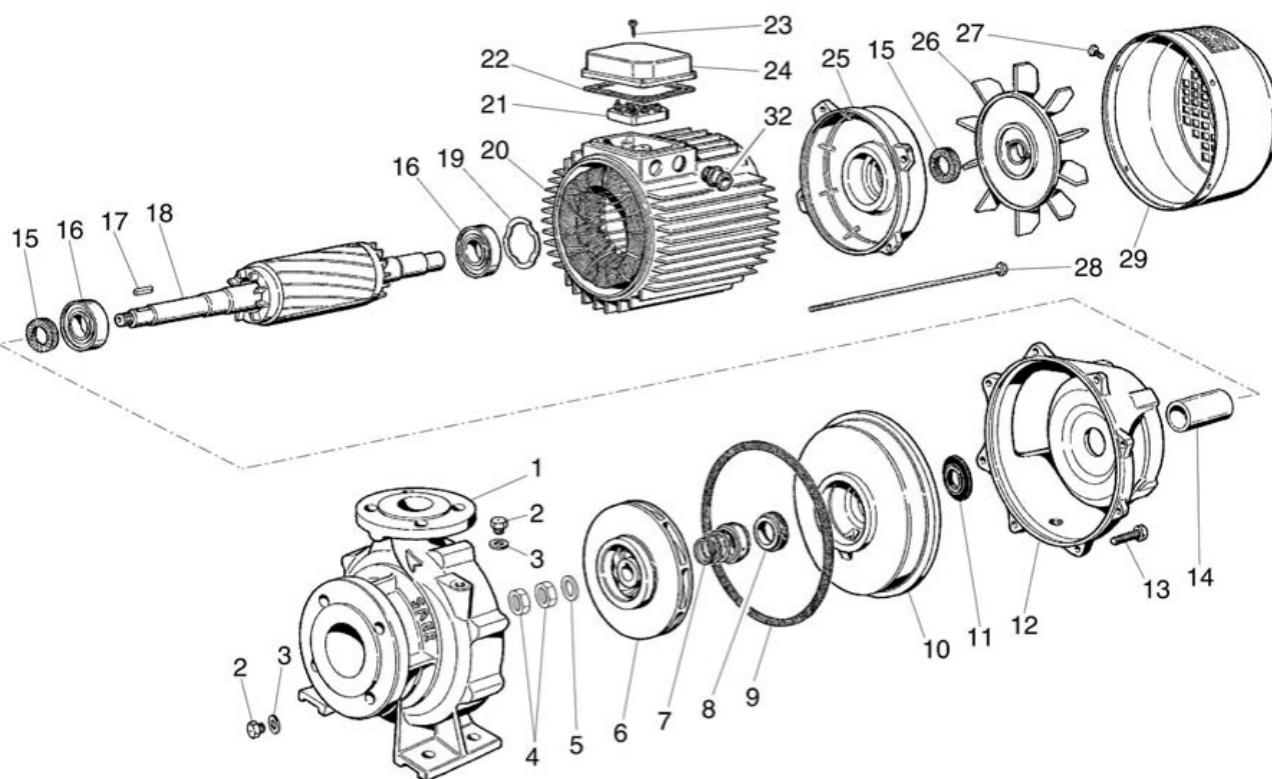
Operating area	Flow	Head	Impeller type
Operating data specification	0 US g.p.m	0 ft	Impeller construction
Pump data	US g.p.m	ft	Sense of rotation
			Outlet width
			DN 50
	Flow	Head	Shaft power P2
	Min. Max. $\eta$ Max.	H(Q=0) $\eta$ Max.	P2(Q=0) Max. $\eta$ Max.
	US g.p.m US g.p.m US g.p.m	ft ft	hp hp hp
	88.1 264 230	85.6 65.4	5.15 5.11
			Speed rpm 3600
			Frequency Hz 60 Hz

Performance data based to: Water, pure [100%]; 68°F; 62.3lb/ft<sup>3</sup>; 1.08E-5ft<sup>2</sup>/s UNI EN ISO 9906:2012 - Grade 3B



Project	Project ID	Created by	Created on <b>2020/07/16</b>	Last update
---------	------------	------------	---------------------------------	-------------

Company name  
Respons. Department  
Person in charge  
Phone number  
Fax no  
E-mail address



Project

Project ID

Created by

Created on  
**2020/07/16**

Last update