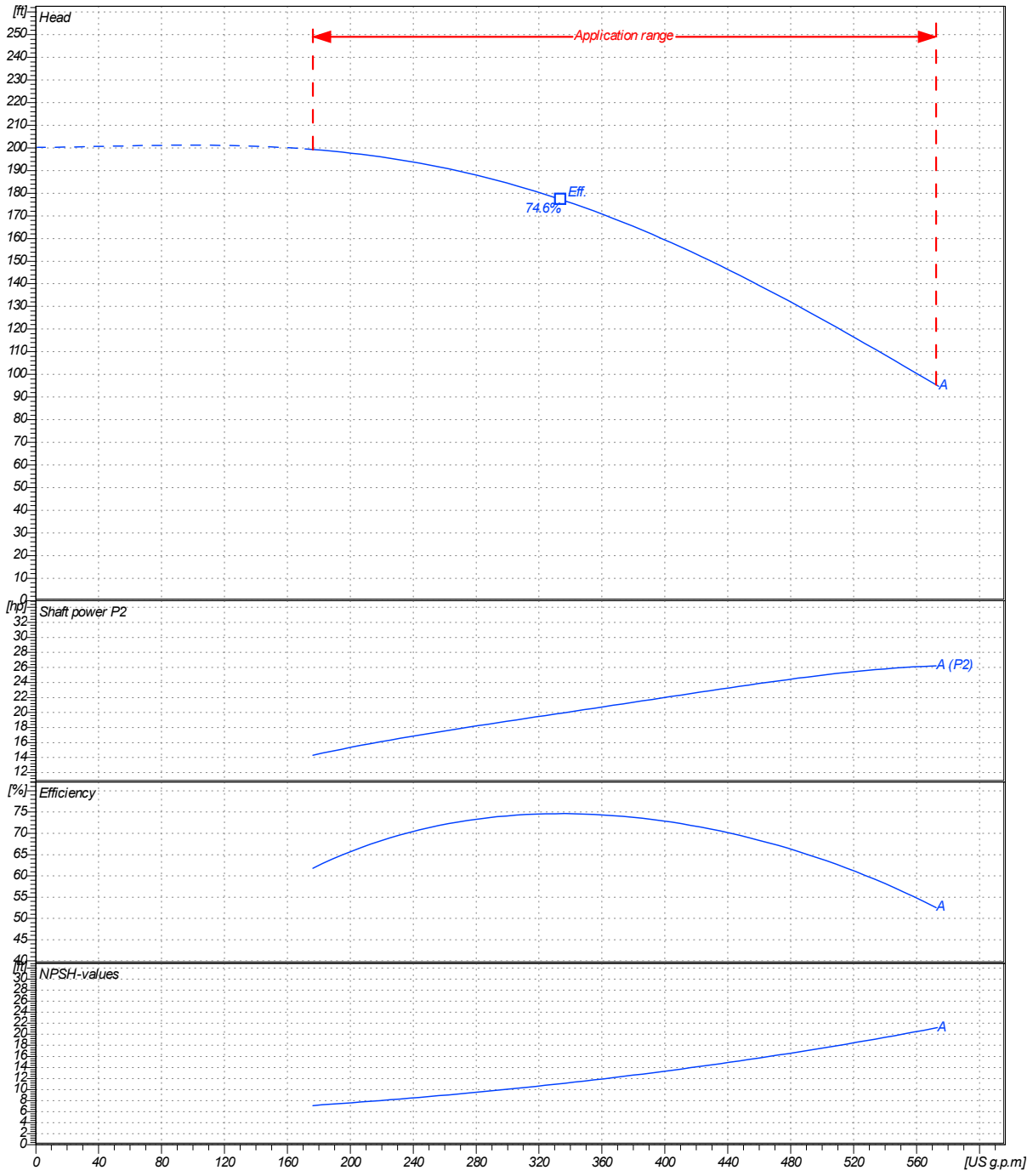


Receiver	From
Company name	
Respons. Department	
Person in charge	
Phone number	
Fax no	
E-mail address	

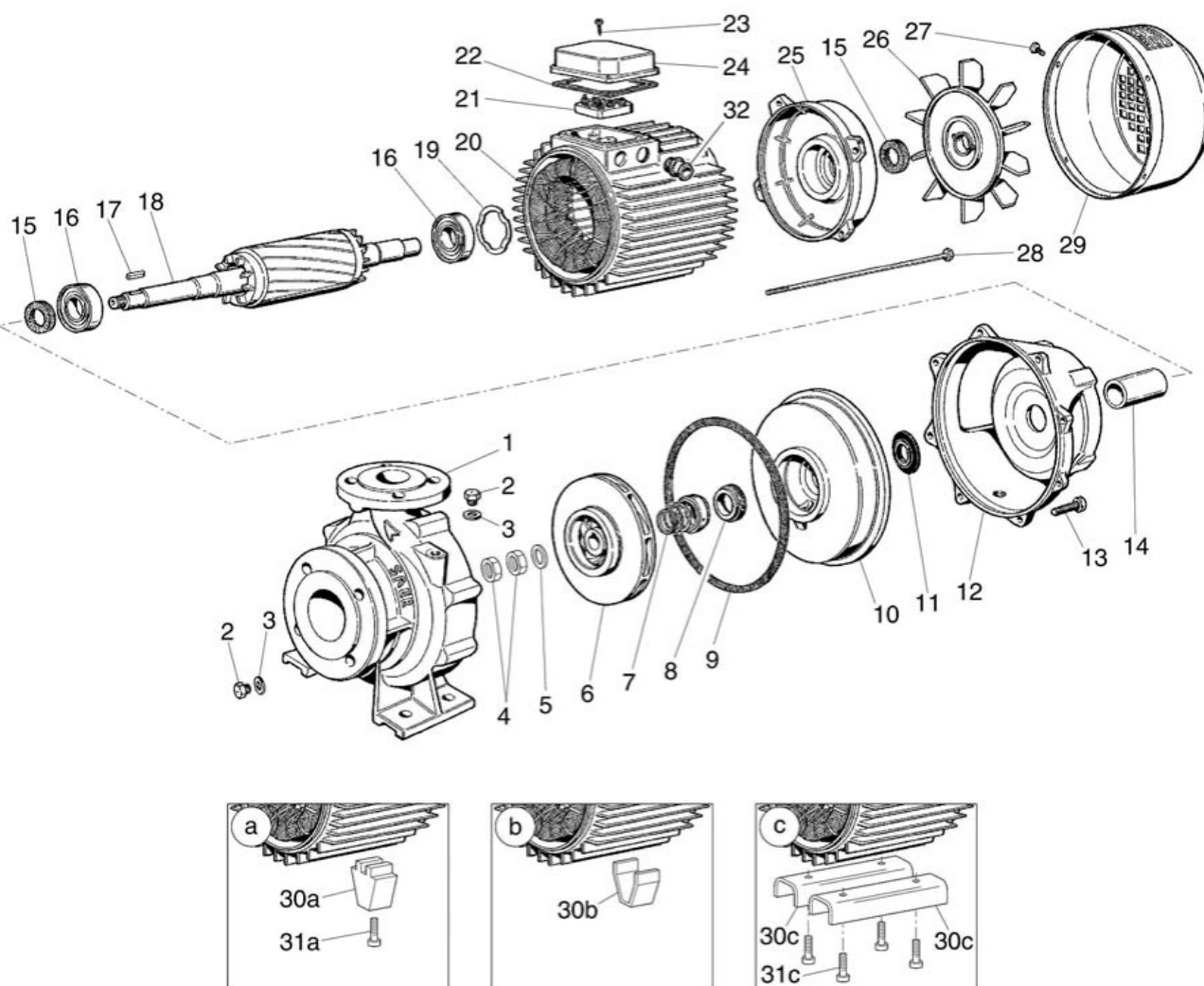
Operating area	Flow	Head	Impeller type
Operating data specification	0 US g.p.m	0 ft	Impeller construction
Pump data	US g.p.m	ft	Sense of rotation
			Clockwise from the drive end
			Outlet width
			DN 50
	Shaft power P2		Speed
			rpm 3600
			Frequency
			Hz 60 Hz

Performance data based to: Water, pure [100%]; 68°F; 62.3lb/ft³; 1.08E-5ft²/s UNI EN ISO 9906:2012 - Grade 3B



Project	Project ID	Created by	Created on	Last update
			2020/07/16	

Company name
Respons. Department
Person in charge
Phone number
Fax no
E-mail address



Project

Project ID

Created by

Created on
2020/07/16

Last update