





# Performance curves 6IR50-200NB

Revision no  
[ ]

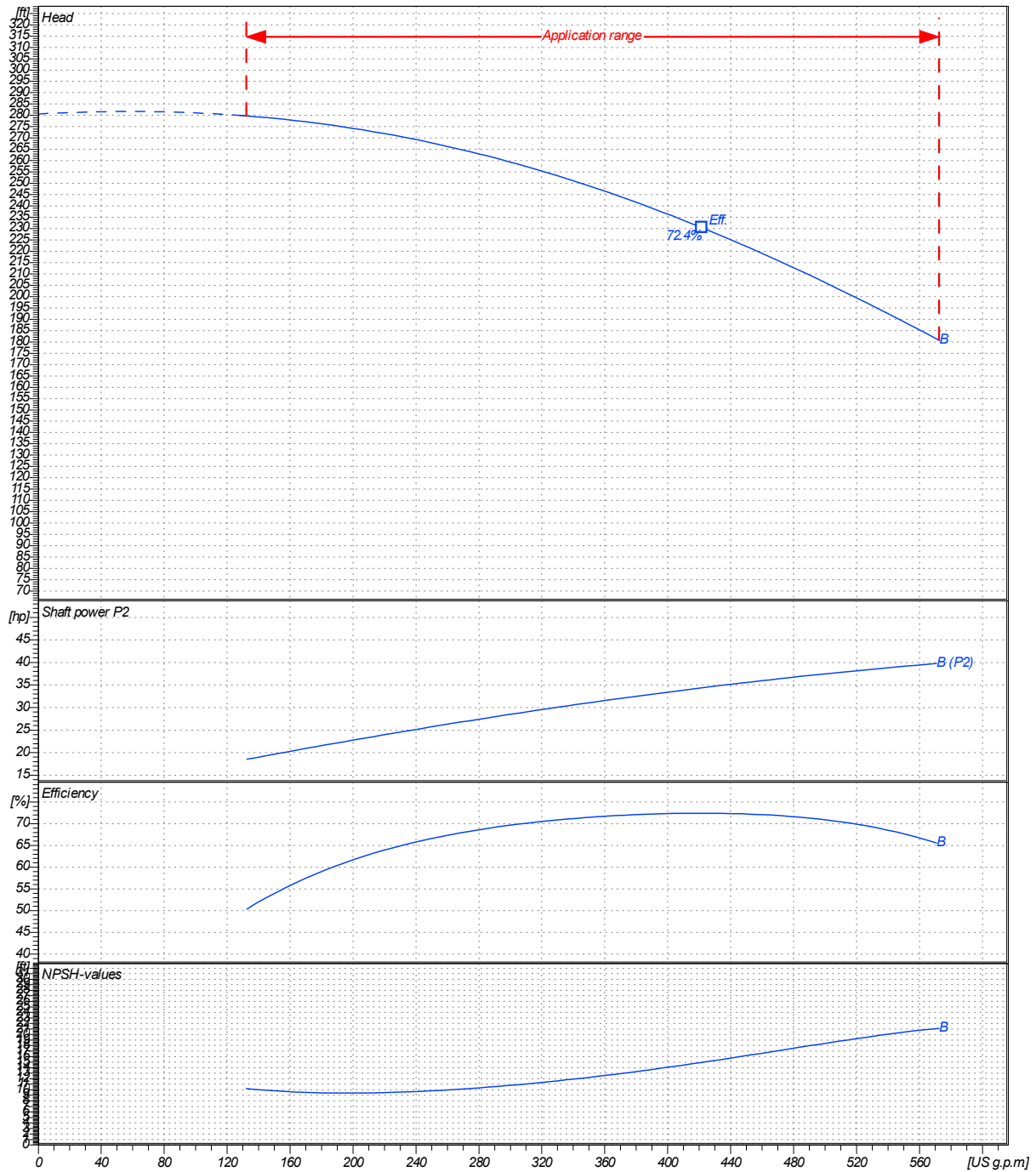
Page:  
2

Receiver		From	
Company name			
Respons. Department			
Person in charge			
Phone number			
Fax no			
E-mail address			

Operating area	Flow	Head	Impeller type	
Operating data specification	0 US g.p.m	0 ft	Impeller construction	Closed
Pump data	US g.p.m	ft	Sense of rotation	Clockwise from the drive end
			Outlet width	DN 50
	Flow	Head	Shaft power P2	Speed rpm 3600
	Min. Max. $\eta$ Max.	H(Q=0) $\eta$ Max.	P2(Q=0) Max. $\eta$ Max.	Frequency Hz 60 Hz
	US g.p.m US g.p.m US g.p.m	ft ft	hp hp hp	
	132 572 422	281 230	39.8 34.4	

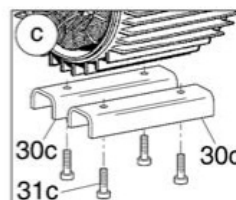
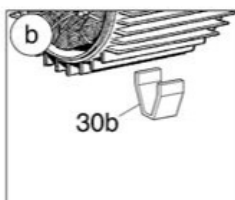
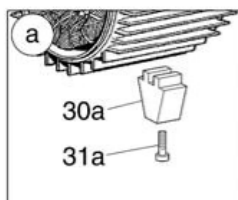
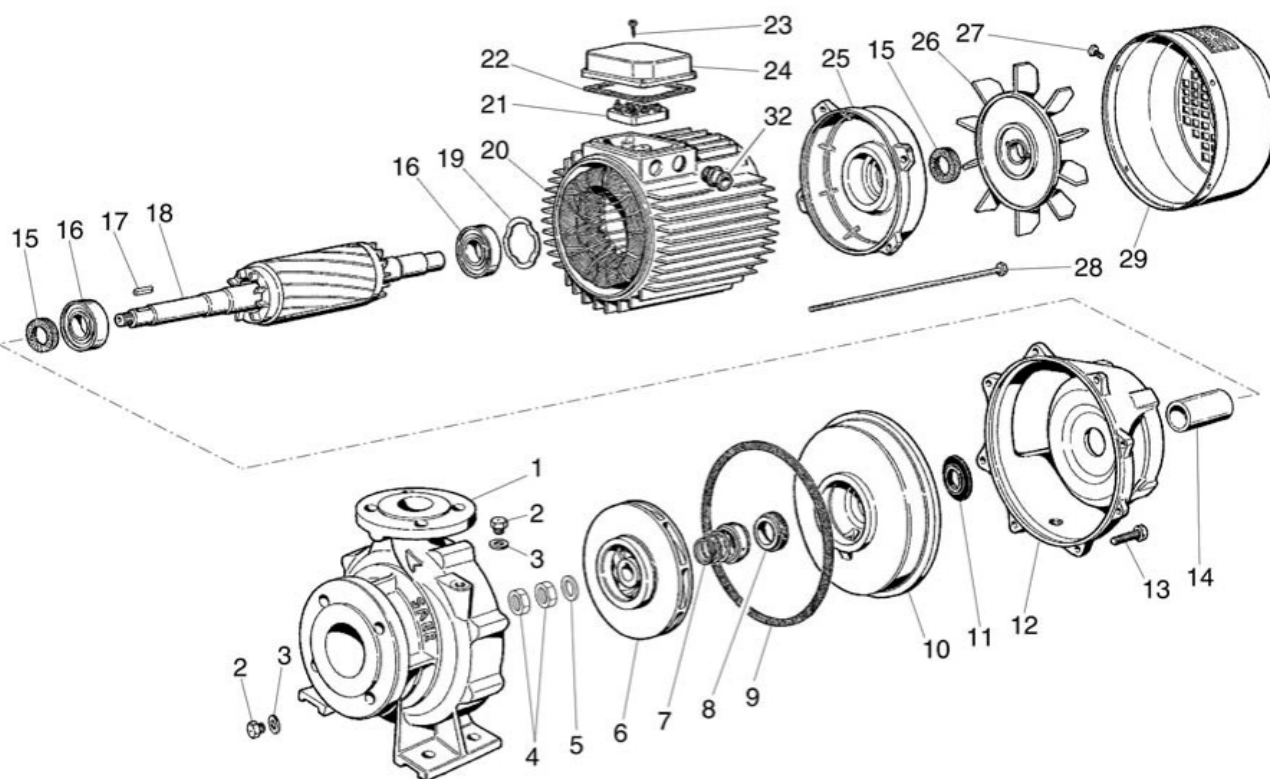
Performance data based to: Water, pure [100%]; 68°F; 62.3lb/ft<sup>3</sup>; 1.08E-5ft<sup>2</sup>/s

UNI EN ISO 9906:2012 - Grade 3B



Project	Project ID	Created by	Created on 2020/07/16	Last update
---------	------------	------------	--------------------------	-------------

Company name  
Respons. Department  
Person in charge  
Phone number  
Fax no  
E-mail address



Project

Project ID

Created by

Created on  
**2020/07/16**

Last update